



Ruud Achiever® Series Air Conditioners



RA13- Series

Efficiencies 13-15.5 SEER/11.5-13 EER
Nominal Sizes 1¹/₂ to 5 Ton [5.28 to 17.6 kW]
Cooling Capacities 17.3 to 60.5 kBTU
[5.7 to 17.7 kW]



"Proper sizing and installation of equipment is critical to achieve optimal performance. Ask your Contractor for details or visit www.energystar.gov."

- New composite base pan – dampens sound, captures louver panels, eliminates corrosion and reduces number of fasteners needed
- Powder coat paint system – for a long lasting professional finish
- Scroll compressor – uses 70% fewer moving parts for higher efficiency and increased reliability
- Modern cabinet aesthetics – increased curb appeal with visually appealing design
- Curved louver panels – provide ultimate coil protection, enhance cabinet strength, and increased cabinet rigidity
- Optimized fan orifice – optimizes airflow and reduces unit sound
- Rust resistant screws – confirmed through 1500-hour salt spray testing
- PlusOne™ **Expanded Valve Space** – 3"-4"-5" service valve space – provides a minimum working area of 27-square inches for easier access
- PlusOne™ **Triple Service Access** – 15" wide, industry leading corner service access – makes repairs easier and faster. The two fastener removable corner allows optimal access to internal unit components. Individual louver panels come out once fastener is removed, for faster coil cleaning and easier cabinet reassembly
- Diagnostic service window with two-fastener opening – provides access to the high and low pressure.
- External gauge port access – allows easy connection of "low-loss" gauge ports
- Single-row condenser coil – makes unit lighter and allows thorough coil cleaning to maintain "out of the box" performance
- 35% fewer cabinet fasteners and fastener-free base – allow for faster access to internal components and hassle-free panel removal
- Service trays – hold fasteners or caps during service calls
- QR code – provides technical information on demand for faster service calls
- Fan motor harness with extra long wires allows unit top to be removed without disconnecting fan wire.

TABLE OF CONTENTS

Standard Feature	3
Available SKUs	3
Features & Benefits	4-5
Model Number Identification	6-7
General Data/Electrical Data	8
Accessories	9
Weighted Sound Power	9
Thermostats.....	9
Unit Dimensions.....	10
Clearances.....	11
Wiring Diagrams	12
Application Guidelines	12
Refrigerant Line Size Information	13-14
Performance Data	15-40
Guide Specifications	41
Limited Warranty	42

Standard Feature Table

Feature	STANDARD FEATURES						
	18	24	30	36	42	48	60
R-410a Refrigerant	√	√	√	√	√	√	√
Maximum SEER	15.1	15.0	15.5	15.1	14.5	14.5	14.0
Maximum EER	12.5	12.5	13.0	12.5	12.0	12.0	11.5
Scroll Compressor	√	√	√	√	√	√	√
Field Installed Filter Drier	√	√	√	√	√	√	√
Front Seating Service Valves	√	√	√	√	√	√	√
Internal Pressure Relief Valve	√	√	√	√	√	√	√
Internal Thermal Overload	√	√	√	√	√	√	√
Long Line capability	√	√	√	√	√	√	√
Low Ambient capability with Kit	√	√	√	√	√	√	√
3-4-5 Expanded Valve Space	√	√	√	√	√	√	√
Composite Basepan	√	√	√	√	√	√	√
2 Screw Control Box Access	√	√	√	√	√	√	√
15" Access to Internal Components	√	√	√	√	√	√	√
Quick release louver panel design	√	√	√	√	√	√	√
No fasteners to remove along bottom	√	√	√	√	√	√	√
Optimized Venturi Airflow	√	√	√	√	√	√	√
Single row condenser coil	√	√	√	√	√	√	√
Powder coated paint	√	√	√	√	√	√	√
Rust resistant screws	√	√	√	√	√	√	√
QR code	√	√	√	√	√	√	√
External gauge ports	√	√	√	√	√	√	√
Service trays	√	√	√	√	√	√	√

√ = Standard

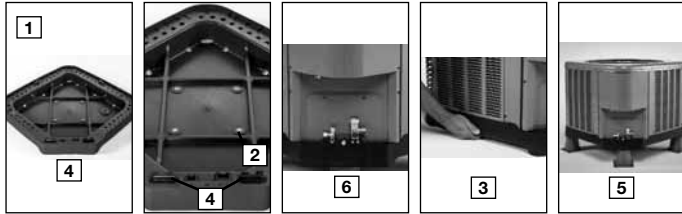
Available SKUs

Available Models	Description
RA1318AJ1NA	Achiever® Series 1 1/2 ton 13 SEER Single-Stage Air Conditioner-208/230/1/60
RA1324AJ1NA	Achiever® Series 2 ton 13 SEER Single-Stage Air Conditioner-208/230/1/60
RA1330AJ1NA	Achiever® Series 2 1/2 ton 13 SEER Single-Stage Air Conditioner-208/230/1/60
RA1336AJ1NA	Achiever® Series 3 ton 13 SEER Single-Stage Air Conditioner-208/230/1/60
RA1342AJ1NA	Achiever® Series 3 1/2 ton 13 SEER Single-Stage Air Conditioner-208/230/1/60
RA1348AJ1NA	Achiever® Series 4 ton 13 SEER Single-Stage Air Conditioner-208/230/1/60
RA1360AJ1NA	Achiever® Series 5 ton 13 SEER Single-Stage Air Conditioner-208/230/1/60
RA1318AJ1NB	Achiever® Series 1 1/2 ton 13 SEER Single-Stage Air Conditioner w/ High/Low Pressure-208/230/1/60
RA1324AJ1NB	Achiever® Series 2 ton 13 SEER Single-Stage Air Conditioner w/ High/Low Pressure-208/230/1/60
RA1330AJ1NB	Achiever® Series 2 1/2 ton 13 SEER Single-Stage Air Conditioner w/ High/Low Pressure-208/230/1/60
RA1336AJ1NB	Achiever® Series 3 ton 13 SEER Single-Stage Air Conditioner w/ High/Low Pressure-208/230/1/60
RA1342AJ1NB	Achiever® Series 3 1/2 ton 13 SEER Single-Stage Air Conditioner w/ High/Low Pressure-208/230/1/60
RA1348AJ1NB	Achiever® Series 4 ton 13 SEER Single-Stage Air Conditioner w/ High/Low Pressure-208/230/1/60
RA1360AJ1NB	Achiever® Series 5 ton 13 SEER Single-Stage Air Conditioner w/ High/Low Pressure-208/230/1/60
RA1336AC1NB	Achiever® Series 3 ton 13 SEER Single-Stage Air Conditioner w/ High/Low Pressure-208/230/3/60
RA1342AC1NB	Achiever® Series 3 1/2 ton 13 SEER Single-Stage Air Conditioner w/ High/Low Pressure-208/230/3/60
RA1348AC1NB	Achiever® Series 4 ton 13 SEER Single-Stage Air Conditioner w/ High/Low Pressure-208/230/3/60
RA1360AC1NB	Achiever® Series 5 ton 13 SEER Single-Stage Air Conditioner w/ High/Low Pressure-208/230/3/60
RA1336AD1NB	Achiever® Series 3 ton 13 SEER Single-Stage Air Conditioner w/ High/Low Pressure-460/3/60
RA1342AD1NB	Achiever® Series 3 1/2 ton 13 SEER Single-Stage Air Conditioner w/ High/Low Pressure-460/3/60
RA1348AD1NB	Achiever® Series 4 ton 13 SEER Single-Stage Air Conditioner w/ High/Low Pressure-460/3/60
RA1360AD1NB	Achiever® Series 5 ton 13 SEER Single-Stage Air Conditioner w/ High/Low Pressure-460/3/60

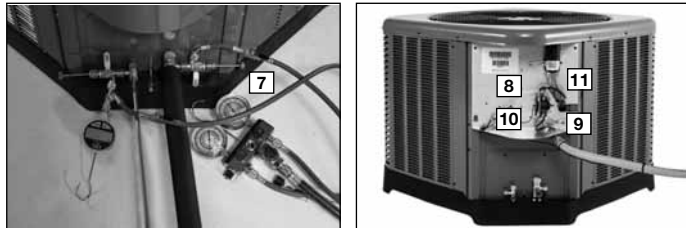
Introduction to RA13 Air Conditioner

The RA13 is our 13 SEER air conditioner and is part of the Ruud air conditioner product line that extends from 13 to 20 SEER. This highly featured and reliable air conditioner is designed for years of reliable, efficient operation when matched with Ruud indoor aluminum evaporator coils and furnaces or air handler units with aluminum evaporators.

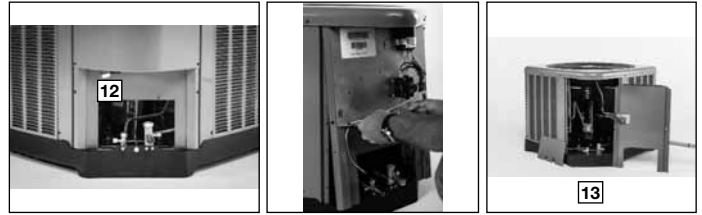
Our unique composite base (1) reduces sound emission, eliminates rattles, significantly reduces fasteners, eliminates corrosion and has integrated brass compressor attachment inserts (2). Furthermore it has incorporated into the design, water management features, means for hand placement (3) for unit maneuvering, screw trays (4) and inserts for lifting off unit pad. (5)



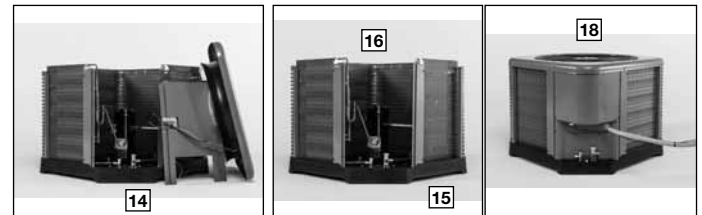
Service Valves (6) are rigidly mounted in the composite base with 3" between suction and discharge valves, 4" clearance below service valves and a minimum of 5" above the service valves, creating industry leading installation ease. The minimum 27 square-inches around the service valves allows ample room to remove service valve schrader prior to brazing, plenty of clearance for easy brazing of the suction and discharge lines to service valve outlets, easy access and hookup of low loss refrigerant gauges (7), and access to the service valve caps for opening. For applications with long-line lengths up to 250 feet total equivalent length, up to 200 feet condenser above evaporator, or up to 80 feet evaporator above condenser, the long-line instructions in the installation manual should be followed.



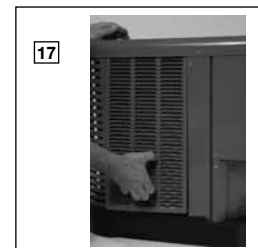
Controls are accessed from the corner of the unit by removing only two fasteners from the control access cover, revealing the industry's largest 15" wide and 14" tall control area (8). With all this room in the control area the high voltage electrical whip (9) can easily be inserted through the right size opening in the bottom of the control area. Routing it leads directly to contractor lugs for connection. The low voltage control wires (10) are easily connected to units low voltage wiring. If contactor or capacitor (11) needs to be replaced there is more than adequate space to make the repair. Furthermore, if high pressure and low pressure model was not purchased but is desired to be installed in the field, the service window (12) can be removed by removing two screws, to access the high and low side schrader fittings for easy field installation. The entire corner can be removed providing ultimate access to install the high and low pressure switch. (13)



If in the rare event, greater access is needed to internal components, such as the compressor, the entire corner of the unit can be removed along with the top cover assembly to have unprecedented access to interior of the unit (14). Extra wire length is incorporated into each outdoor fan and compressor so top cover and control panel can be positioned next to the unit. With minimal effort the plug can be removed from the compressor and the outdoor fan wires can be removed from the capacitor to allow even more uncluttered access to the interior of the unit (15). Outdoor coil heights range from as short as 22" to 28", aiding access to the compressor. Disassembly to this degree and complete reassembly only takes a first time service technician less than 10 minutes. (15)



All units utilize strong formed louver panels which provide industry leading coil protection. Louver removal for coil cleaning is accomplished by removing one screw and lifting the panel out of the composite base pan. (17) All RA13 units utilize single row coils (18) making cleaning easy and complete, restoring the performance of the air conditioner back to out of the box performance levels year after year.

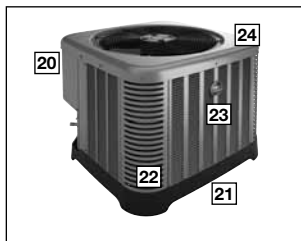


The outdoor fan motor has sleeve bearings and is inherently protected. The motor is totally enclosed for maximum protection from weather, dust and corrosion. Access to the outdoor fan is made by removing four fasteners from the fan grille. The outdoor fan can be removed from the fan grille by removing 4 fasteners in the rare case outdoor fan motor fails.

Each cabinet has optimized composite (19) fan orifice assuring efficient and quiet airflow.



The entire cabinet has powder post paint (20) achieving 1000 hour salt spray rating, allowing the cabinet to retain its aesthetics throughout its life.



Scroll compressors with standard internal pressure relief and internal thermal overload are used on all capacities assuring longevity of high efficient and quiet operation for the life of the product.

Each unit is shipped with filter drier for field installation and will trap any moisture or dirt that could contaminate the refrigerant system.



All cabinets have industry leading structural strength due to the composite base pan (21), interlocking corner post (22), formed curved louver panels (23) and drawn top cover (24) making it the most durable cabinet on the market today.

Each RA13 capacity has undergone rigorous psychometric testing to assure performance ratings of capacity, SEER and EER per AHRI Standard 210/240 rating conditions. Also each unit bears the UL mark and each unit is certified to UL 1995 safety standards.



Each unit has undergone specific strain and modal testing to assure tubing (25) is outside the units natural frequency and that the suction and discharge lines connected to the compressor withstand any starting, steady state operation or shut down forces imposed by the compressor.

All units have been sound tested in sound chamber to AHRI 270 rating conditions, and A-weighted Sound Power Level tables produced, assuring units have acceptable noise qualities (see page 9). Each unit has been ran in cooling operation at 95°F and 82°F and sound ratings for the RA13 range from as low as 73 dBA to 79 dBA.

All units have been ship tested to assure units meet stringent “over the road” shipping conditions.

As manufactured all units in the RA13 family have cooling capability to 55 °F. Addition of low ambient control will allow the unit to operate down to 0°F. Factory testing is performed on each unit. All component parts meet well defined specification and continually go through receiving inspections. Each component installed on a unit is scanned, assuring correct component utilization for a given unit capacity and voltage. All condenser coils are leak tested with pressurization test to 550#’s and once installed and assembled, each units’ complete refrigerant system is helium leak tested. All units are fully charged from the factory for up to 15 feet of piping. All units are factory run tested. The RA13 has a 10-year conditional compressor and parts warranty (registration required).

Optional Accessories

(Refer to accessory chart for model #)

Compressor Crankcase Heater

Protects against refrigerant migration that can occur during low ambient operation

Compressor Sound Cover

- Reinforced vinyl compressor cover containing a 1½ inch thick batt of fiberglass insulation
- Open edges are sealed with a one-inch wide hook and loop fastening tape

Compressor Hard Start Kit

- Single-phase units are equipped with a PSC compressor motor, this type of motor normally does not need a potential relay and start capacitor
- Kit may be required to increase the compressor starting torque, in conditions such as low voltage

Low Ambient Kit

- Air conditioners operate satisfactorily in the cooling mode down to 55°F outdoor air temperature without any additional controls
- This Kit can be added in the field enabling unit to operate properly down to 0° in the cooling mode
- Crankcase heater and freezestat should be installed on compressors equipped with a low ambient kit

3"/6"/12"

- Gray high density polyethylene feet are available to raise unit off of mounting surface away from moisture

Low Pressure

- Can be added in field enabling the unit to shut off compressor on loss of charge

NOTE: Unit can be purchased with high and low pressure installed at factory. (Refer to SKU list)

High Pressure

- Can be added in field enabling unit to shut off compressor if unit loses outdoor fan operation.

NOTE: Unit can be purchased with high and low pressure installed at factory. (Refer to SKU list)

Decorative Top

- Can be installed on fan grille

Air Conditioners

R	A	13	24	A	J	1	N	A	*
Brand	Product Category	SEER	Capacity BTU/HR	Major Series*	Voltage	Type	Controls	Minor Series**	Option Code
Ruud	A - Air Conditioners	13 - 13 SEER 14 - 14 SEER 16 - 16 SEER 17 - 17 SEER 20 - 20 SEER	18 - 18,000 [5.28 kW] 24 - 24,000 [7.03 kW] 30 - 30,000 [8.79 kW] 36 - 36,000 [10.55 kW] 42 - 42,000 [12.31 kW] 48 - 48,000 [14.07 kW] 60 - 60,000 [17.58 kW]	A - 1st Design	J - 1ph, 208-230/60 C - 3ph, 208-230/60 D - 3ph, 460/60	1 - Single-stage 2 - Two-stage V - Inverter	C - Communicating N - Non-Communicating	A - 1st Design	N/A

Heat Pumps (For Reference)

R	P	14	24	A	J	1	N	A	*
Brand	Product Category	SEER	Capacity BTU/HR	Major Series*	Voltage	Type	Controls	Minor Series**	Option Code
Ruud	P - Heat Pump	13 - 13 SEER 14 - 14 SEER 15 - 15 SEER 17 - 17 SEER 20 - 20 SEER	18 - 18,000 [5.28 kW] 24 - 24,000 [7.03 kW] 30 - 30,000 [8.79 kW] 36 - 36,000 [10.55 kW] 42 - 42,000 [12.31 kW] 48 - 48,000 [14.07 kW] 60 - 60,000 [17.58 kW]	A - 1st Design	J - 1ph, 208-230/60 C - 3ph, 208-230/60 D - 3ph, 460/60	1 - Single-stage 2 - Two-stage V - Inverter P - Piston	C - Communicating N - Non-Communicating	A - 1st Design	N/A

Furnace Coils (For Reference)

R	C	F	24	17	S	I	A	M	C	A	*
Brand	Product Category	Type	Capacity BTU/HR	Width	Efficiency	Metering Device	Major Series*	Orientation	Casing	Minor Series**	Option Code
Ruud	C - Evap Coil	F - Furn Coil H - Air-Handler Coil	24 - 24,000 [7.03 kW] 36 - 36,000 [10.55 kW] 48 - 48,000 [14.07 kW] 60 - 60,000 [17.58 kW]	14 - 14" 17 - 17.5" 21 - 21" 24 - 24.5"	S - Standard Eff. M - Mid Eff. H - High Eff.	T-TXV E-EEV P-Piston	A - 1st Design	M - Multipoise V - Vertical only/ convertible H - Ded. Horizontal only	C - Cased U - Uncased	A - 1st Design	N/A

[] Designates Metric Conversions

90%+ AFUE Gas Furnaces (For Reference)

<u>R</u>	<u>96</u>	<u>V</u>	<u>A</u>	<u>70</u>	<u>2</u>	<u>3</u>	<u>17</u>	<u>M</u>	<u>S</u>	<u>A</u>
Brand	Series	Motor	Major Rev	Input BTU/HR	Stages	Air Flow	Cabinet Width	Configuration	Nox	Minor Rev
Ruud	90 - 90 AFUE	V - Variable speed	A - 1st Design	040 - 42,000 [12.31 kW]	1 - Single-stage	3 - up to 3 ton	14 - 14"	M - Multi	X - Low Nox	A - 1st Design
	92 - 92 AFUE	T - Constant Torque		060 - 56,000 [16.41 kW]	2 - Two-stage	5 - 3 1/2 up to 5 ton	17 - 17.5"		S - Standard	
	95 - 95 AFUE			070 - 70,000 [20.51 kW]	M - Modulating		21 - 21"			
	96 - 96 AFUE (X-13)			085 - 84,000 [24.62 kW]			24 - 24.5"			
	97 - 97 AFUE	P - PSC		100 - 98,000 [28.72 kW]						
				115 - 112,000 [32.82 kW]						

80% AFUE Gas Furnaces (For Reference)

<u>R</u>	<u>80</u>	<u>2</u>	<u>V</u>	<u>075</u>	<u>3</u>	<u>17</u>	<u>M</u>	<u>S</u>	<u>A</u>	
Brand	Series	Stages	Motor	Major Rev	Input BTU/HR	Air Flow	Cabinet Width	Configuration	Nox	Minor Rev
Ruud	80 - 80+ AFUE	1 - Single-stage	V - Variable speed	A - 1st Design	050 - 50,000 [15 kW]	3 - up to 3 ton	14 - 14"	M - Multi	X - Low Nox	A - 1st Design
		2 - Two-stage	T - Constant Torque (X-13)		075 - 75,000 [22 kW]	4 - 2 1/2 to 4 ton	17 - 17.5"	D - Down	S - Standard	
			P - PSC premium		100 - 100,000 [29 kW]	5 - 3 1/2 up to 5 ton	21 - 21"	Z - Down & zero clearance		
			S - PSC standard		125 - 125,000 [37 kW]		24 - 24.5"			
					150 - 150,000 [44 kW]					

Air Handlers (For Reference)

<u>R</u>	<u>H</u>	<u>1</u>	<u>I</u>	<u>36</u>	<u>17</u>	<u>S</u>	<u>T</u>	<u>N</u>	<u>A</u>	<u>*</u>
Brand	Product Category	Stages of Airflow	Motor Type	Capacity BTU/HR	Width	Coil Size	Metering Device	Controls	Voltage	Factory Heat Option Code
Ruud	H - Air Handler	1 - Single-Stage	V - Variable Speed	24 - 24,000 [7.03 kW]	14 - 14"	S - Standard Eff.	T - TEV	C - Communicating	A - 1ph, 115/60	00 - no factory heat with option code
		2 - Two-Stage	Speed Torque	36 - 36,000 [10.55 kW]	17 - 17.5"	M - Mid Eff.	E - EEV	N - Non-comm	J - 1ph, 208-240/60	A - 1st Design
		M - Modulating	Torque	48 - 48,000 [14.07 kW]	21 - 21"	H - High Eff.	P - Piston		D - 3ph, 480/60	
			P - PSC	60 - 60,000 [17.58 kW]	24 - 24.5"					

[] Designates Metric Conversions

Physical Data

PHYSICAL DATA							
Model No.	RA1318A	RA1324A	RA1330A	RA1336A	RA1342A	RA1348A	RA1360A
Nominal Tonnage	1.5	2.0	2.5	3.0	3.5	4.0	5.0
Valve Connections							
Liquid Line O.D. – in.	3/8	3/8	3/8	3/8	3/8	3/8	3/8
Suction Line O.D. – in.	3/4	3/4	3/4	3/4	7/8	7/8	7/8
Refrigerant (R410A) furnished oz. ¹	56	66	78	92	111	112	154
Compressor Type	Scroll						
Outdoor Coil							
Net face area – Outer Coil	5.9	9.1	9.1	12.1	14.2	14.8	18.8
Net face area – Inner Coil	—	—	—	—	—	—	—
Tube diameter – in.	3/8	3/8	3/8	3/8	3/8	3/8	3/8
Number of rows	1	1	1	1	1	1	1
Fins per inch	22	18	22	22	22	22	22
Outdoor Fan							
Diameter – in.	20	20	20	20	20	24	26
Number of blades	2	2	3	3	2	3	2
Motor hp	1/8	1/8	1/4	1/4	1/8	1/6	1/5
CFM	2040	2325	2795	2900	2465	4145	3870
RPM	1075	1075	1075	1075	1075	850	820
watts	144	137	189	186	176	280	233
Shipping weight – lbs.	127	129	140	150	173	182	192
Operating weight – lbs.	120	122	133	143	166	175	185

Electrical Data

Line Voltage Data (Volts-Phase-Hz)	208/230-1-60	208/230-1-60	208/230-1-60	208/230-1-60	208/230-1-60	208/230-1-60	208/230-1-60
Maximum overcurrent protection (amps) ²	20	25	30	35	40	50	60
Minimum circuit ampacity ³	13	15	18	21	24	29	35
Compressor							
Rated load amps	9.7	11.2	12.8	15.4	17.9	21.8	26.4
Locked rotor amps	46	60.8	64	83.9	112	117	134
Condenser Fan Motor							
Full load amps	0.7	0.7	1.3	1.3	0.7	1	1.2
Locked rotor amps	1.3	1.3	2.5	2.5	1.3	2	2
Line Voltage Data (Volts-Phase-Hz)	—	—	—	208/230-3-60	208/230-3-60	208/230-3-60	208/230-3-60
Maximum overcurrent protection (amps) ²	—	—	—	20	30	30	35
Minimum circuit ampacity ³	—	—	—	15	18	19	22
Compressor							
Rated load amps	—	—	—	10.4	13.2	13.7	16
Locked rotor amps	—	—	—	73	88	83.1	110
Condenser Fan Motor							
Full load amps	—	—	—	1.3	0.7	1	1.3
Locked rotor amps	—	—	—	2.5	1.3	2	2
Line Voltage Data (Volts-Phase-Hz)	—	—	—	480-3-60	480-3-60	480-3-60	480-3-60
Maximum overcurrent protection (amps) ²	—	—	—	TBD	TBD	TBD	TBD
Minimum circuit ampacity ³	—	—	—	TBD	TBD	TBD	TBD
Compressor							
Rated load amps	—	—	—	TBD	TBD	TBD	TBD
Locked rotor amps	—	—	—	TBD	TBD	TBD	TBD
Condenser Fan Motor							
Full load amps	—	—	—	TBD	TBD	TBD	TBD
Locked rotor amps	—	—	—	TBD	TBD	TBD	TBD

¹Refrigerant charge sufficient for 15 ft. length of refrigerant lines. For longer line set requirements see the installation instructions for information about set length and additional refrigerant charge required.

²HACR type circuit breaker or fuse.

³Refer to National Electrical Code manual to determine wire, fuse and disconnect size requirements.

Accessories

Model No.	RA1318	RA1324	RA1330	RA1336	RA1342	RA1348	RA1360	
Compressor crankcase heater*	44-17402-44	44-17402-44	44-17402-44	44-17402-44	44-17402-45	44-17402-45	44-17402-45	
Low ambient control	RXAD-A08	RXAD-A08	RXAD-A08	RXAD-A08	RXAD-A08	RXAD-A08	RXAD-A08	
Compressor sound cover	68-23427-26	68-23427-26	68-23427-26	68-23427-26	68-23427-25	68-23427-25	68-23427-25	
Compressor hard start kit	SK-A1	SK-A1	SK-A1	SK-A1	SK-A1	SK-A1	SK-A1	
Low pressure control	RXAC-A07	RXAC-A07	RXAC-A07	RXAC-A07	RXAC-A07	RXAC-A07	RXAC-A07	
High pressure control	RXAB-A07	RXAB-A07	RXAB-A07	RXAB-A07	RXAB-A07	RXAB-A07	RXAB-A07	
Liquid Line Solenoid (24 VAC, 50/60 Hz)	Solenoid Valve	61-200RD2T3TVLC	61-200RD2T3TVLC	61-200RD2T3TVLC	61-200RD2T3TVLC	61-200RD2T3TVLC	61-200RD3T3TVLC	61-200RD3T3TVLC
	Solenoid Coil	61-AMG24V	61-AMG24V	61-AMG24V	61-AMG24V	61-AMG24V	61-AMG24V	61-AMG24V
Liquid Line Solenoid (120/240 VAC, 50/60 Hz)	Solenoid Valve	61-200RD2T3TVLC	61-200RD2T3TVLC	61-200RD2T3TVLC	61-200RD2T3TVLC	61-200RD2T3TVLC	61-200RD3T3TVLC	61-200RD3T3TVLC
	Solenoid Coil	61-AMG120/240V	61-AMG120/240V	61-AMG120/240V	61-AMG120/240V	61-AMG120/240V	61-AMG120/240V	61-AMG120/240V
Top Cap w/Label	91-101123-21	91-101123-21	91-101123-21	91-101123-21	91-101123-21	91-101123-21	91-101123-21	

*Crankcase Heater recommended with Low Ambient Kit.

Weighted Sound Power Level (dBA)

Model	Sound Power Level [dB(A)]	RA13 Sound Power Level								Sound Power Level [dB(A)] with Sound Blanket
		Full Octave Linear Sound Power Level dB - Center Frequency - Hz								
		125	250	500	1000	2000	4000	6300	8000	
RA1318	79.1	57.3	63.1	69.8	69.5	65.6	60.5	56.3	53.3	NR
RA1324	75.5	55.4	60.3	64.7	66.4	62.6	58.0	54.3	52.4	NR
RA1330	78.1	51.4	67.4	67.5	68.2	65.5	59.8	55.6	53.6	NR
RA1336	77.5	55.1	66.1	66.9	68.2	64.6	60.7	57.4	55.6	NR
RA1342	72.7	48.9	56.1	62.9	62.2	61.1	55.2	51.9	50.2	NR
RA1348	75.8	51.4	59.6	65.2	65.9	64.3	58.5	55.2	53.7	75.2
RA1360	77.7	51.7	60.9	66.9	70.4	63.5	57.4	55.4	53.8	NR

NOTE: Tested in accordance with AHRI Standard 270-08 (not listed in AHRI)

Thermostats



200-Series *
Programmable



300-Series *
Deluxe Programmable

400-Series *
Special Applications/
Programmable



500-Series *
Communicating/
Programmable

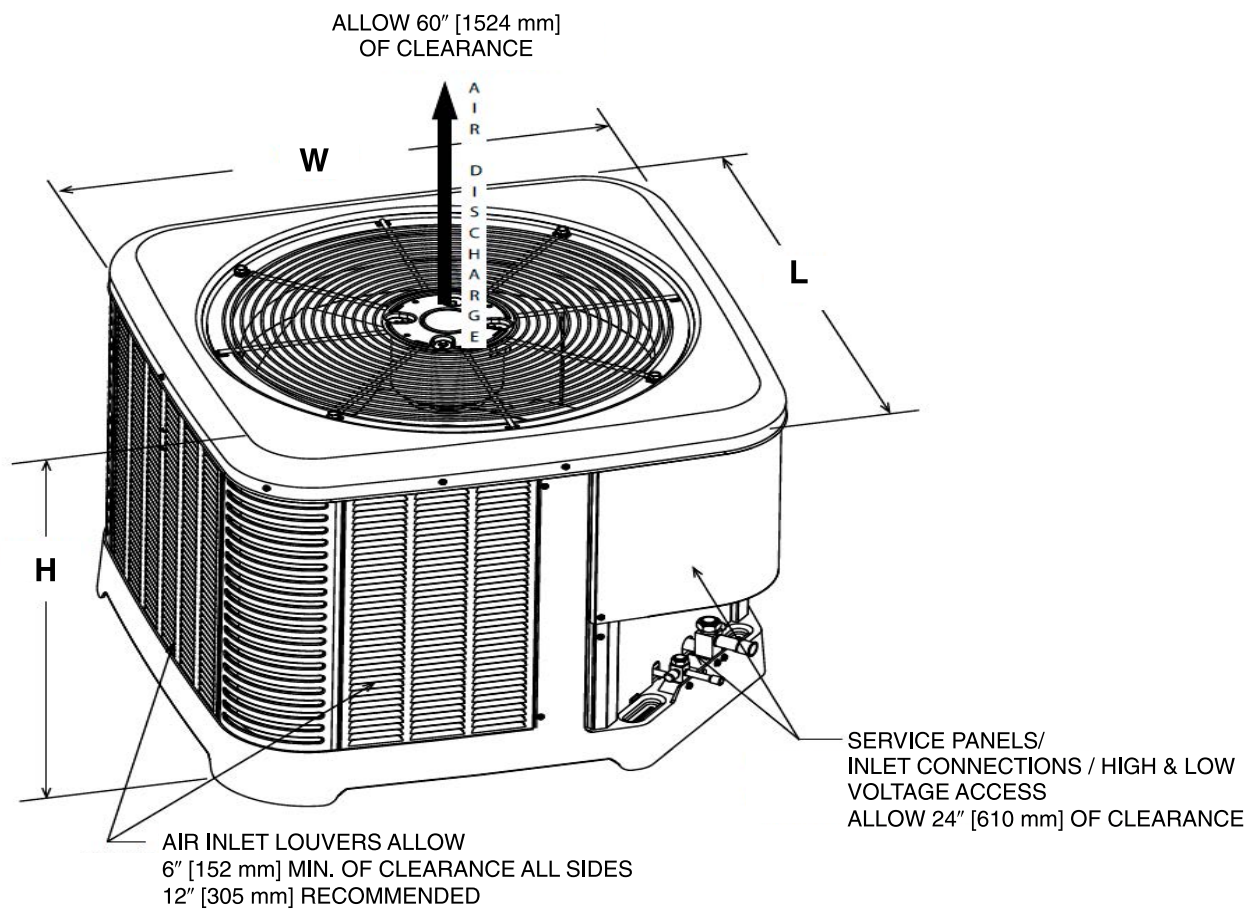
Brand	Descriptor (3 Characters)	Series (3 Characters)	System (2 Characters)	Type (2 Characters)
UHC	-	TST	UN	MS
UHC=Ruud	TST=Thermostat	200=Programmable 300=Deluxe Programmable 400=Special Applications/ Programmable 500=Communicating/ Programmable	GE=Gas/Electric UN=Universal (AC/HP/GE) MD=Modulating Furnace DF=Dual Fuel CM=Communicating	SS=Single-Stage MS=Multi-Stage

* Photos are representative. Actual models may vary.

For detailed thermostat match-up information, see specification sheet form number T22-001.

Unit Dimensions

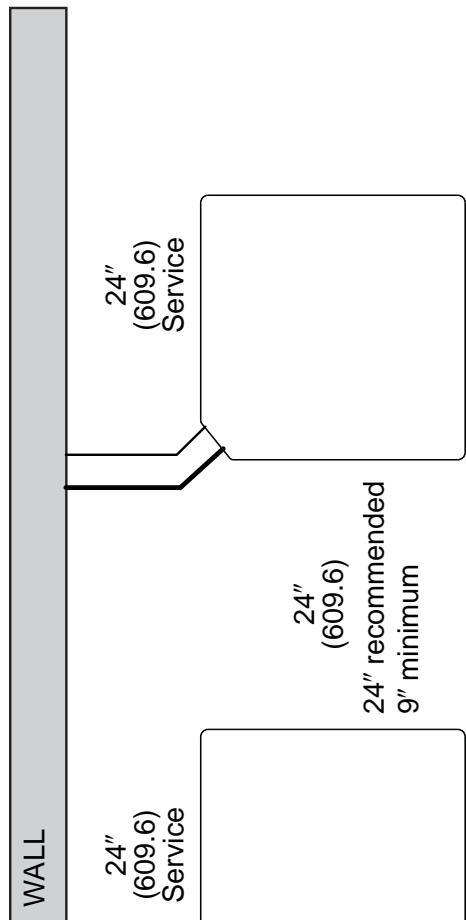
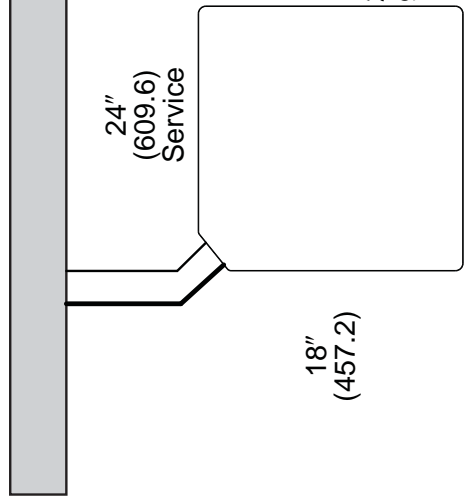
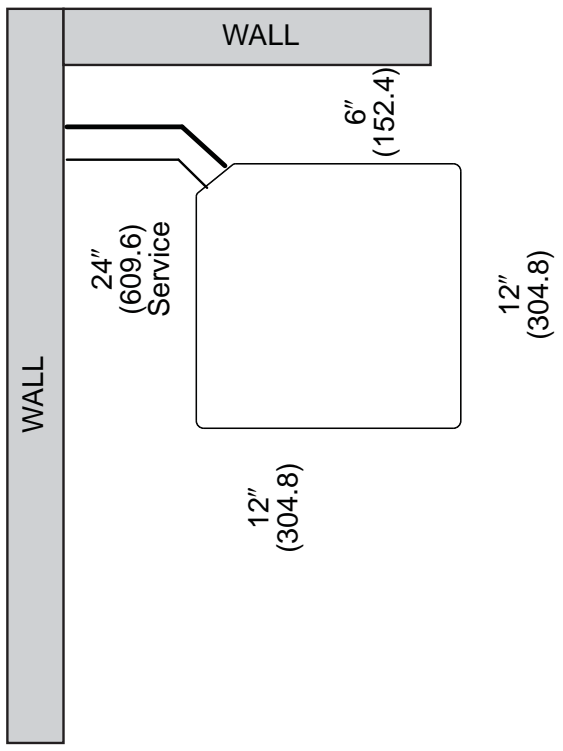
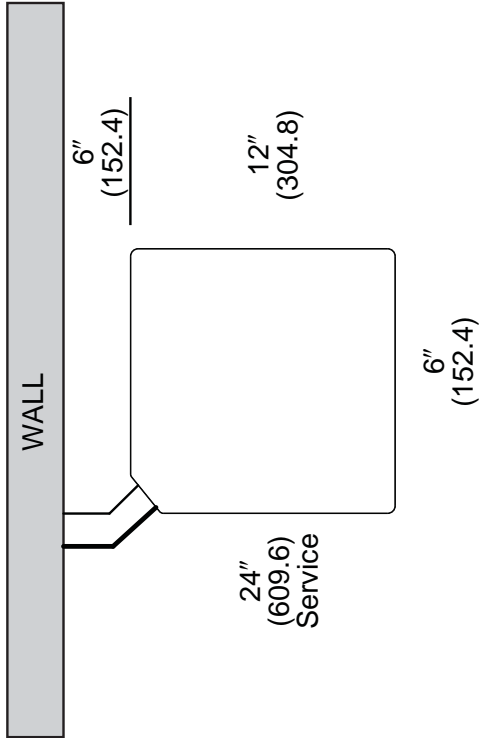
MODEL NO.	OPERATING						SHIPPING					
	H (Height)		L (Length)		W (Width)		H (Height)		L (Length)		W (Width)	
	INCHES	mm	INCHES	mm	INCHES	mm	INCHES	mm	INCHES	mm	INCHES	mm
RA1318	27	685	29.75	755	29.75	755	28.75	730	32.38	822	32.38	822
RA1324	25	635	29.75	755	29.75	755	26.75	679	32.38	822	32.38	822
RA1330	25	635	29.75	755	29.75	755	26.75	679	32.38	822	32.38	822
RA1336	27	685	29.75	755	29.75	755	28.75	730	32.38	822	32.38	822
RA1342	31	787	29.75	755	29.75	755	32.75	831	32.38	822	32.38	822
RA1348	27	685	33.75	857	33.75	857	28.75	730	36.38	924	36.38	924
RA1360	31	787	35.75	908	35.75	908	32.75	831	38.38	974	38.38	974



[] Designates Metric Conversions

ST-A1226-02-00

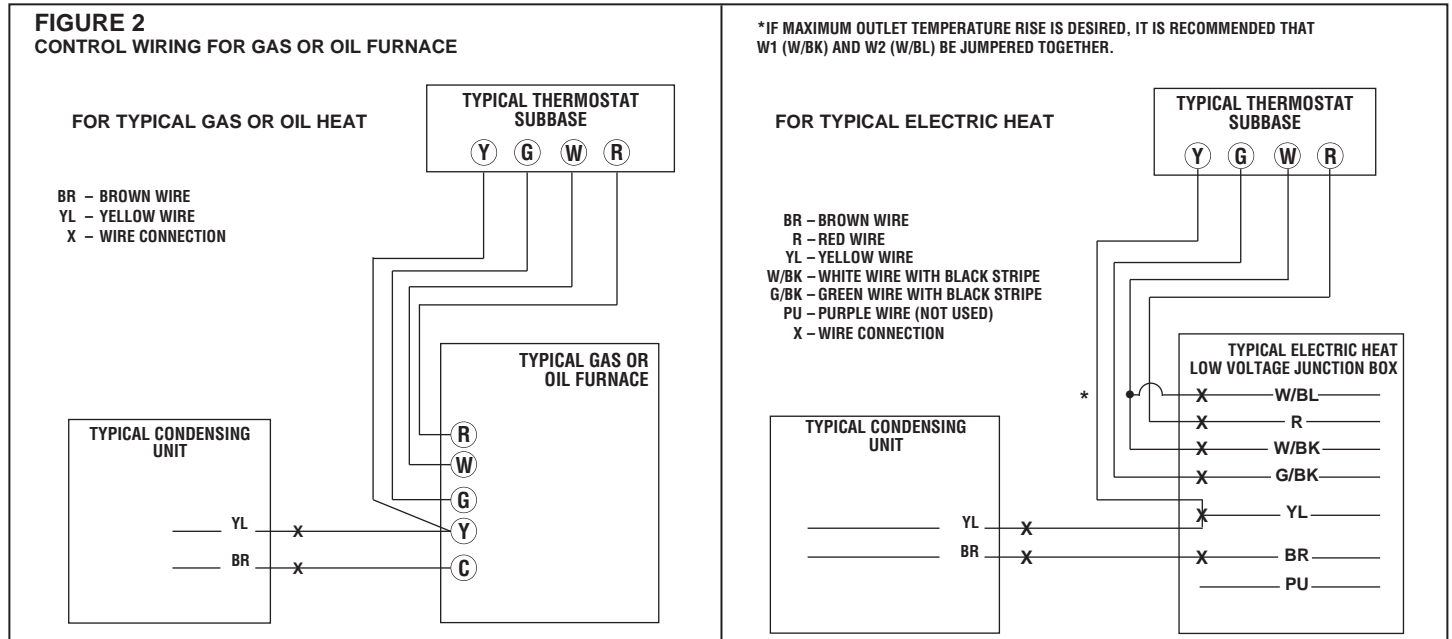
CLEARANCES



NOTE: NUMBERS IN () = mm

IMPORTANT: When installing multiple units in an alcove, roof well or partially enclosed area, ensure there is adequate ventilation to prevent re-circulation of discharge air.

Control Wiring



Application Guidelines

1. Intended for outdoor installation with free air inlet and outlet. Outdoor fan external static pressure available is less than 0.01 -in. wc.
2. Minimum outdoor operation air temperature for cooling mode without low-ambient operation accessory is 55°F (12.8°C).
3. Maximum outdoor operating air temperature is 125°F (51.7°C).
4. For reliable operation, unit should be level in all horizontal planes.
5. Use only copper wire for electric connections at unit. Aluminum and clad aluminum are not acceptable for the type of connector provided.
6. Do not apply capillary tube indoor coils to these units.
7. Factory – supplied filter drier must be installed.

Refrigerant Line Size Information

R-410A System Capacity Model	Liquid Line Size Connection Size (Inch I.D.) [mm]	Liquid Line Size (Inch O.D.) [mm]	Liquid Line Size Elevation (Above or Below) Indoor Coil Total Equivalent Length - Feet [m]													
			Maximum Vertical Separation - Feet [m]													
			25 [7.62]	50 [15.24]	75 [22.86]	100 [30.48]	125 [45.72]	150 [45.72]	175 [53.34]	200 [60.96]	225 [68.58]	250 [76.20]	275 [83.82]	300 [91.44]		
18	3/8" [9.53]	1/4 [6.35]	50 [15.24]	65 [19.81]	50 [15.24]	40 [12.19]	25 [7.62]	10 [3.05]	N/R	N/R	N/R	N/R	N/R	N/R	N/R	N/R
		5/16 [7.94]	50 [15.24]	75 [22.86]	95 [28.96]	90 [27.43]	90 [27.43]	85 [25.91]	80 [24.38]	75 [22.86]	70 [21.34]	70 [21.34]	65 [19.81]	65 [19.81]		
		3/8 [9.53]	50 [15.24]	75 [22.86]	100 [30.48]	105 [32]	100 [30.48]	100 [30.48]	105 [32]	105 [32]	105 [32]	105 [32]	105 [32]	105 [32]	95 [28.96]	95 [28.96]
		7/16 [11.12]	50 [15.24]	75 [22.86]	100 [30.48]	105 [32]	105 [32]	105 [32]	105 [32]	105 [32]	105 [32]	105 [32]	105 [32]	105 [32]	105 [32]	105 [32]
		1/2 [12.71]	50 [15.24]	75 [22.86]	100 [30.48]	110 [33.53]	110 [33.53]	110 [33.53]	110 [33.53]	110 [33.53]	110 [33.53]	110 [33.53]	110 [33.53]	110 [33.53]	105 [32]	105 [32]
		1/4 [6.35]	50 [15.24]	35 [10.67]	10 [3.05]	N/R	N/R	N/R	N/R	N/R	N/R	N/R	N/R	N/R	N/R	N/R
24	3/8" [9.53]	5/16 [7.94]	50 [15.24]	75 [22.86]	85 [25.91]	75 [22.86]	70 [21.34]	65 [19.81]	55 [16.76]	50 [15.24]	45 [13.72]	40 [12.19]	30 [9.14]	30 [9.14]		
		3/8 [9.53]	50 [15.24]	75 [22.86]	100 [30.48]	100 [30.48]	95 [28.96]	95 [28.96]	90 [27.43]	90 [27.43]	85 [25.91]	85 [25.91]	80 [24.38]	80 [24.38]		
		7/16 [11.12]	50 [15.24]	75 [22.86]	100 [30.48]	105 [32]	105 [32]	100 [30.48]	100 [30.48]	105 [32]	105 [32]	100 [30.48]	100 [30.48]	95 [28.96]	95 [28.96]	
		1/2 [12.71]	50 [15.24]	75 [22.86]	100 [30.48]	105 [32]	105 [32]	105 [32]	105 [32]	105 [32]	105 [32]	105 [32]	105 [32]	105 [32]	105 [32]	
		1/4 [6.35]	25 [7.62]	75 [22.86]	N/R	N/R	N/R	N/R	N/R	N/R	N/R	N/R	N/R	N/R	N/R	N/R
		5/16 [7.94]	50 [15.24]	75 [22.86]	65 [19.81]	55 [16.76]	45 [13.72]	35 [10.67]	25 [7.62]	15 [4.57]	5 [1.52]	N/R	N/R	N/R	N/R	
30	3/8" [9.53]	3/8 [9.53]	50 [15.24]	75 [22.86]	90 [27.43]	90 [27.43]	85 [25.91]	80 [24.38]	80 [24.38]	75 [22.86]	70 [21.34]	65 [19.81]	65 [19.81]			
		7/16 [11.12]	50 [15.24]	75 [22.86]	100 [30.48]	95 [28.96]	95 [28.96]	95 [28.96]	95 [28.96]	90 [27.43]	90 [27.43]	90 [27.43]	85 [25.91]	85 [25.91]		
		1/2 [12.71]	50 [15.24]	75 [22.86]	100 [30.48]	100 [30.48]	100 [30.48]	100 [30.48]	100 [30.48]	100 [30.48]	100 [30.48]	100 [30.48]	95 [28.96]	95 [28.96]		
		1/4 [6.35]	25 [7.62]	75 [22.86]	N/R	N/R	N/R	N/R	N/R	N/R	N/R	N/R	N/R	N/R	N/R	
		5/16 [7.94]	50 [15.24]	65 [19.81]	50 [15.24]	35 [10.67]	25 [7.62]	10 [3.05]	N/R	N/R	N/R	N/R	N/R	N/R	N/R	
		3/8 [9.53]	50 [15.24]	75 [22.86]	85 [25.91]	80 [24.38]	75 [22.86]	70 [21.34]	65 [19.81]	60 [18.29]	60 [18.29]	55 [16.76]	50 [15.24]	50 [15.24]		
36	3/8" [9.53]	7/16 [11.12]	50 [15.24]	75 [22.86]	95 [28.96]	95 [28.96]	90 [27.43]	90 [27.43]	95 [28.96]	95 [28.96]	85 [25.91]	85 [25.91]	80 [24.38]	80 [24.38]		
		1/2 [12.71]	50 [15.24]	75 [22.86]	100 [30.48]	100 [30.48]	100 [30.48]	100 [30.48]	100 [30.48]	95 [28.96]	95 [28.96]	95 [28.96]	90 [27.43]	90 [27.43]		
		1/4 [6.35]	N/R	N/R	N/R	N/R	N/R	N/R	N/R	N/R	N/R	N/R	N/R	N/R	N/R	
		5/16 [7.94]	50 [15.24]	65 [19.81]	50 [15.24]	35 [10.67]	25 [7.62]	10 [3.05]	N/R	N/R	N/R	N/R	N/R	N/R	N/R	
		3/8 [9.53]	50 [15.24]	75 [22.86]	85 [25.91]	80 [24.38]	75 [22.86]	70 [21.34]	65 [19.81]	60 [18.29]	60 [18.29]	55 [16.76]	50 [15.24]	50 [15.24]		
		7/16 [11.12]	50 [15.24]	75 [22.86]	95 [28.96]	95 [28.96]	90 [27.43]	90 [27.43]	95 [28.96]	95 [28.96]	85 [25.91]	85 [25.91]	80 [24.38]	80 [24.38]		
42	3/8" [9.53]	1/2 [12.71]	50 [15.24]	75 [22.86]	100 [30.48]	100 [30.48]	100 [30.48]	100 [30.48]	100 [30.48]	95 [28.96]	95 [28.96]	90 [27.43]	90 [27.43]			
		1/4 [6.35]	N/R	N/R	N/R	N/R	N/R	N/R	N/R	N/R	N/R	N/R	N/R	N/R		
		5/16 [7.94]	50 [15.24]	50 [15.24]	30 [9.14]	15 [4.57]	N/R	N/R	N/R	N/R	N/R	N/R	N/R	N/R		
		3/8 [9.53]	50 [15.24]	75 [22.86]	80 [24.38]	70 [21.34]	65 [19.81]	60 [18.29]	55 [16.76]	50 [15.24]	40 [12.19]	35 [10.67]	30 [9.14]	30 [9.14]		
		7/16 [11.12]	50 [15.24]	75 [22.86]	95 [28.96]	90 [27.43]	90 [27.43]	85 [25.91]	80 [24.38]	80 [24.38]	75 [22.86]	75 [22.86]	70 [21.34]	70 [21.34]		
		1/2 [12.71]	50 [15.24]	75 [22.86]	100 [30.48]	100 [30.48]	95 [28.96]	95 [28.96]	95 [28.96]	95 [28.96]	90 [27.43]	90 [27.43]	90 [27.43]	90 [27.43]		
48	3/8" [9.53]	1/4 [6.35]	5 [1.52]	N/R	N/R	N/R	N/R	N/R	N/R	N/R	N/R	N/R	N/R	N/R	N/R	
		5/16 [7.94]	50 [15.24]	30 [9.14]	5 [1.52]	N/R	N/R	N/R	N/R	N/R	N/R	N/R	N/R	N/R		
		3/8 [9.53]	50 [15.24]	75 [22.86]	65 [19.81]	60 [18.29]	45 [13.72]	35 [10.67]	25 [7.62]	20 [6.1]	10 [3.05]	N/R	N/R			
		7/16 [11.12]	50 [15.24]	75 [22.86]	85 [25.91]	80 [24.38]	75 [22.86]	70 [21.34]	70 [21.34]	65 [19.81]	60 [18.29]	60 [18.29]	60 [18.29]			
		1/2 [12.71]	50 [15.24]	75 [22.86]	100 [30.48]	90 [27.43]	90 [27.43]	85 [25.91]	85 [25.91]	85 [25.91]	80 [24.38]	80 [24.38]	80 [24.38]			
		1/4 [6.35]	N/R	N/R	N/R	N/R	N/R	N/R	N/R	N/R	N/R	N/R	N/R	N/R	N/R	
60	3/8" [9.53]	5/16 [7.94]	20 [6.1]	N/R	N/R	N/R	N/R	N/R	N/R	N/R	N/R	N/R	N/R	N/R		
		3/8 [9.53]	25 [7.62]	30 [9.14]	20 [6.1]	5 [1.52]	N/R	N/R	N/R	N/R	N/R	N/R	N/R			
		7/16 [11.12]	25 [7.62]	45 [13.72]	40 [12.19]	35 [10.67]	30 [9.14]	25 [7.62]	20 [6.1]	15 [4.57]	10 [3.05]	N/R	N/R			
		1/2 [12.71]	25 [7.62]	50 [15.24]	45 [13.72]	40 [12.19]	35 [10.67]	35 [10.67]	30 [9.14]	25 [7.62]	25 [7.62]	25 [7.62]	25 [7.62]			
		1/4 [6.35]	N/R	N/R	N/R	N/R	N/R	N/R	N/R	N/R	N/R	N/R	N/R	N/R		
		5/16 [7.94]	20 [6.1]	N/R	N/R	N/R	N/R	N/R	N/R	N/R	N/R	N/R	N/R	N/R		

NOTE: N/R = Application not recommended. Grey = This application is acceptable, but the long line guidelines must be followed. Reference Long Line Set section in the I&O

NOTE: [] Designates Metric Conversions

Refrigerant Line Size Information (con't.)

R-410A System Capacity Model	Vapor Line Connection Size (Inch I.D.) [mm]	Vapor Line Size (Inch O.D.) [mm]	Vapor Line Selection Chart Capacity Multiplier Table															
			Total Equivalent Length - Feet [m]															
			25 [7.62]	50 [15.24]	75 [22.86]	100 [30.48]	125 [45.72]	150 [45.72]	175 [53.34]	200 [60.96]	225 [68.58]	250 [76.20]	275 [83.82]	300 [91.44]				
18	3/4" [19.06]	5/8 [15.88]	1.00	0.99	0.99	0.98	0.98	0.98	0.98	0.97	0.97	0.97	0.97	0.96	0.96	0.96	0.95	
			1.00	1.00	1.00	1.00	1.00	1.00	1.00	0.99	0.99	0.99	0.99	0.99	0.99	0.99	0.99	
			N/R	N/R	N/R	N/R	N/R	N/R	N/R	N/R	N/R	N/R	N/R	N/R	N/R	N/R	N/R	N/R
			N/R	N/R	N/R	N/R	N/R	N/R	N/R	N/R	N/R	N/R	N/R	N/R	N/R	N/R	N/R	N/R
			N/R	N/R	N/R	N/R	N/R	N/R	N/R	N/R	N/R	N/R	N/R	N/R	N/R	N/R	N/R	N/R
24	3/4" [19.06]	5/8 [15.88]	1.00	0.99	0.99	0.98	0.98	0.98	0.98	0.97	0.97	0.97	0.97	0.96	0.96	0.96	0.95	
			1.00	1.00	1.00	1.00	1.00	1.00	1.00	0.99	0.99	0.99	0.99	0.99	0.99	0.99	0.99	
			1.00	1.00	1.00	1.00	1.00	1.00	1.00	1.00	1.00	1.00	1.00	1.00	1.00	1.00	1.00	1.00
			N/R	N/R	N/R	N/R	N/R	N/R	N/R	N/R	N/R	N/R	N/R	N/R	N/R	N/R	N/R	N/R
			N/R	N/R	N/R	N/R	N/R	N/R	N/R	N/R	N/R	N/R	N/R	N/R	N/R	N/R	N/R	N/R
30	3/4" [19.06]	5/8 [15.88]	1.00	0.99	0.99	0.98	0.98	0.98	0.98	0.97	0.97	0.97	0.97	0.96	0.96	0.96	0.95	
			1.00	1.00	1.00	1.00	1.00	1.00	1.00	0.99	0.99	0.99	0.99	0.99	0.99	0.99	0.99	
			1.00	1.00	1.00	1.00	1.00	1.00	1.00	1.00	1.00	1.00	1.00	1.00	1.00	1.00	1.00	1.00
			N/R	N/R	N/R	N/R	N/R	N/R	N/R	N/R	N/R	N/R	N/R	N/R	N/R	N/R	N/R	N/R
			N/R	N/R	N/R	N/R	N/R	N/R	N/R	N/R	N/R	N/R	N/R	N/R	N/R	N/R	N/R	N/R
36	3/4" [19.06]	5/8 [15.88]	1.00	0.99	0.99	0.98	0.98	0.98	0.98	0.97	0.97	0.97	0.97	0.96	0.96	0.96	0.95	
			1.00	1.00	1.00	1.00	1.00	1.00	1.00	0.99	0.99	0.99	0.99	0.99	0.99	0.99	0.99	
			1.00	1.00	1.00	1.00	1.00	1.00	1.00	1.00	1.00	1.00	1.00	1.00	1.00	1.00	1.00	1.00
			1.00	1.00	1.00	1.00	1.00	1.00	1.00	1.00	1.00	1.00	1.00	1.00	1.00	1.00	1.00	1.00
			N/R	N/R	N/R	N/R	N/R	N/R	N/R	N/R	N/R	N/R	N/R	N/R	N/R	N/R	N/R	N/R
42	7/8" [22.23]	1-1/8 [28.58]	1.00	1.00	1.00	1.00	1.00	1.00	1.00	1.00	1.00	1.00	1.00	1.00	1.00	1.00	1.01	
			1.00	1.00	1.00	1.00	1.00	1.00	1.00	1.00	1.00	1.00	1.00	1.00	1.00	1.00	1.00	
			1.00	1.00	1.00	1.00	1.00	1.00	1.00	1.00	1.00	1.00	1.00	1.00	1.00	1.00	1.00	1.00
			1.00	1.00	1.00	1.00	1.00	1.00	1.00	1.00	1.00	1.00	1.00	1.00	1.00	1.00	1.00	1.00
			N/R	N/R	N/R	N/R	N/R	N/R	N/R	N/R	N/R	N/R	N/R	N/R	N/R	N/R	N/R	N/R
48	7/8" [22.23]	1-1/8 [28.58]	1.00	0.99	0.99	0.98	0.98	0.98	0.98	0.97	0.97	0.97	0.97	0.96	0.96	0.96	N/R	
			1.00	1.00	1.00	1.00	1.00	1.00	1.00	0.99	0.99	0.99	0.99	0.99	0.99	0.99	N/R	
			1.00	1.00	1.00	1.00	1.00	1.00	1.00	1.00	1.00	1.00	1.00	1.00	1.00	1.00	1.00	N/R
			1.00	1.00	1.00	1.00	1.00	1.00	1.00	1.00	1.00	1.00	1.00	1.00	1.00	1.00	1.00	N/R
			1.00	1.00	1.00	1.00	1.00	1.00	1.00	1.00	1.00	1.00	1.00	1.00	1.00	1.00	1.00	N/R
60	7/8" [22.23]	1-1/8 [28.58]	N/R	N/R	N/R	N/R	N/R	N/R	N/R	N/R	N/R	N/R	N/R	N/R	N/R	N/R	N/R	
			1.00	0.99	0.99	0.98	0.98	0.98	0.98	0.97	0.97	0.97	0.97	0.96	0.96	0.96	N/R	
			1.00	1.00	1.00	1.00	1.00	1.00	1.00	0.99	0.99	0.99	0.99	0.99	0.99	0.99	N/R	
			1.00	1.00	1.00	1.00	1.00	1.00	1.00	1.00	1.00	1.00	1.00	1.00	1.00	1.00	1.00	N/R
			1.00	1.00	1.00	1.00	1.00	1.00	1.00	1.00	1.00	1.00	1.00	1.00	1.00	1.00	1.00	N/R

NOTES: N/R = Application not recommended. All calculations assume a 3/8" liquid line [] Designates Metric Conversions

Performance Data @ AHRI Standard Conditions – Cooling

High Sales Volume Tested Combination (HSVTC)								
Outdoor Unit	Indoor Coil	Total Capacity BTU/H [kW]	Net Sensible BTU/H [kW]	Net Latent BTU/H [kW]	SEER	EER	Indoor CFM [L/s]	AHRI#
RA1318AJ1	RCF2417STAM	17600 [5.2]	13100 [3.8]	4500 [1.3]	13	11	600 [283.2]	7507439
RA1324AJ1	RCF2417STAM	23600 [6.9]	17600 [5.2]	6000 [1.8]	13	11	800 [377.6]	7507649
RA1330AJ1	RCF3617STAM	28400 [8.3]	21600 [6.3]	6800 [2.0]	13	11	1000 [471.9]	7507846
RA1336AC1	RCF3617STAM	34600 [10.1]	24500 [7.2]	10100 [3.0]	13	11	1025 [483.7]	7508191
RA1336AJ1	RCF3617STAM	34600 [10.1]	24500 [7.2]	10100 [3.0]	13	11	1025 [483.7]	7508557
RA1342AC1	RCF4821STAM	40500 [11.9]	30300 [8.9]	10200 [3.0]	13	11	1400 [660.7]	7511558
RA1342AJ1	RCF4821STAM	40500 [11.9]	30300 [8.9]	10200 [3.0]	13	11	1400 [660.7]	7511792
RA1348AC1	RCF4821STAM	47500 [13.9]	34100 [10.0]	13400 [3.9]	13	11	1500 [707.9]	7508923
RA1348AJ1	RCF4821STAM	47500 [13.9]	34100 [10.0]	13400 [3.9]	13	11	1500 [707.9]	7509148
RA1360AC1	RCF6024STAM	56000 [16.4]	39600 [11.6]	16400 [4.8]	13	11	1600 [755.1]	7509314
RA1360AJ1	RCF6024STAM	56000 [16.4]	39600 [11.6]	16400 [4.8]	13	11	1600 [755.1]	7509436

Coil Only Ratings								
Outdoor Unit	Indoor Coil	Total Capacity BTU/H [kW]	Net Sensible BTU/H [kW]	Net Latent BTU/H [kW]	SEER	EER	Indoor CFM [L/s]	AHRI#
RA1318AJ1	RCF2414STAM+RXMD-C04	17600 [5.2]	12600 [3.7]	5000 [1.5]	13	11	600 [283.2]	7507408
	RCF2417HTAM+RXMD-C04	17500 [5.1]	12300 [3.6]	5200 [1.5]	13	11	600 [283.2]	7507423
	RCF2417MTAM+RXMD-C04	17500 [5.1]	12300 [3.6]	5200 [1.5]	13	11	600 [283.2]	7507438
	RCF2421MTAM+RXMD-C04	17500 [5.1]	12300 [3.6]	5200 [1.5]	13	11	600 [283.2]	7507491
RA1324AJ1	RCF2414STAM+RXMD-C04	23800 [7.0]	17100 [5.0]	6700 [2.0]	13	11	800 [377.6]	7507612
	RCF2417HTAM+RXMD-C04	23400 [6.9]	16500 [4.8]	6900 [2.0]	13	11	800 [377.6]	7507630
	RCF2417MTAM+RXMD-C04	23400 [6.9]	16500 [4.8]	6900 [2.0]	13	11	800 [377.6]	7507648
	RCF2421MTAM+RXMD-C04	23400 [6.9]	16500 [4.8]	6900 [2.0]	13	11	800 [377.6]	7507716
RA1330AJ1	RCF3621MTAM+RXMD-C04	29800 [8.7]	21900 [6.4]	7900 [2.3]	13.5	11.5	1000 [471.9]	7507895
	RCF3621STAM+RXMD-C04	28400 [8.3]	20500 [6.0]	7900 [2.3]	13	11	1000 [471.9]	7507926
	RCF3624HTAM+RXMD-C04	30400 [8.9]	22200 [6.5]	8200 [2.4]	13.5	11.5	1000 [471.9]	7507950
	RCF3624MTAM+RXMD-C04	29800 [8.7]	21900 [6.4]	7900 [2.3]	13.5	11.5	1000 [471.9]	7507973
RA1336AC1	RCF3621MTAM+RXMD-C04	36600 [10.7]	24900 [7.3]	11700 [3.4]	13.5	11.5	1025 [483.7]	7508240
	RCF3621STAM+RXMD-C04	34400 [10.1]	23100 [6.8]	11300 [3.3]	13	11	1025 [483.7]	7508271
	RCF3624HTAM+RXMD-C04	37400 [11.0]	25600 [7.5]	11800 [3.5]	13.5	11.5	1025 [483.7]	7508298
	RCF3624MTAM+RXMD-C04	36600 [10.7]	24900 [7.3]	11700 [3.4]	13.5	11.5	1025 [483.7]	7508325
RA1336AJ1	RCF3621MTAM+RXMD-C04	36600 [10.7]	24900 [7.3]	11700 [3.4]	13.5	11.5	1025 [483.7]	7508606
	RCF3621STAM+RXMD-C04	34400 [10.1]	23100 [6.8]	11300 [3.3]	13	11	1025 [483.7]	7508637
	RCF3624HTAM+RXMD-C04	37400 [11.0]	25600 [7.5]	11800 [3.5]	13.5	11.5	1025 [483.7]	7508664
	RCF3624MTAM+RXMD-C04	36600 [10.7]	24900 [7.3]	11700 [3.4]	13.5	11.5	1025 [483.7]	7508691
RA1342AC1	RCF4824HTAM+RXMD-C04	41500 [12.2]	29400 [8.6]	12100 [3.5]	13	11.5	1400 [660.7]	7511616
	RCF4824STAM+RXMD-C04	40000 [11.7]	28000 [8.2]	12000 [3.5]	13	11	1375 [648.9]	7511643
RA1342AJ1	RCF4824HTAM+RXMD-C04	41500 [12.2]	29400 [8.6]	12100 [3.5]	13	11.5	1400 [660.7]	7511850
	RCF4824STAM+RXMD-C04	40000 [11.7]	28000 [8.2]	12000 [3.5]	13	11	1375 [648.9]	7511877
RA1348AC1	RCF4824HTAM+RXMD-C04	49500 [14.5]	34200 [10.0]	15300 [4.5]	13	11.5	1500 [707.9]	7508968
	RCF4824STAM+RXMD-C04	47500 [13.9]	34100 [10.0]	13400 [3.9]	13	11	1500 [707.9]	7509019
RA1348AJ1	RCF4824HTAM+RXMD-C04	49500 [14.5]	34200 [10.0]	15300 [4.5]	13	11.5	1500 [707.9]	7509188
	RCF4824STAM+RXMD-C04	47500 [13.9]	34100 [10.0]	13400 [3.9]	13	11	1500 [707.9]	7509210
RA1360AC1	RCF6024HTAM+RXMD-C04	56000 [16.4]	39600 [11.6]	16400 [4.8]	13	11	1600 [755.1]	7509313
	RCF6024HTAM+RXMD-C04	56000 [16.4]	39600 [11.6]	16400 [4.8]	13	11	1600 [755.1]	7509435

[] Designates Metric Conversions

Performance Data @ AHRI Standard Conditions – Cooling (con't.)

R801T Furnace Ratings									
Outdoor Unit	Furnace	Indoor Coil	Total Capacity BTU/H [kW]	Net Sensible BTU/H [kW]	Net Latent BTU/H [kW]	SEER	EER	Indoor CFM [L/s]	AHRI#
RA1318AJ1	R801TA050314MSA	RCF2414STAM	18100 [5.3]	13100 [3.8]	5000 [1.5]	14.5	12	625 [295.0]	7507407
		RCF2417HTAM	18000 [5.3]	12800 [3.8]	5200 [1.5]	14.5	12	625 [295.0]	7507409
		RCF2417MTAM	18000 [5.3]	12800 [3.8]	5200 [1.5]	14.5	12	625 [295.0]	7507424
		RCF2417STAM	18000 [5.3]	13500 [4.0]	4500 [1.3]	14.5	12	625 [295.0]	7507440
RA1318AJ1	R801TA075317ZSA	RCF2417HTAM	18300 [5.4]	13200 [3.9]	5100 [1.5]	14.5	12	650 [306.8]	7507410
		RCF2417MTAM	18300 [5.4]	13200 [3.9]	5100 [1.5]	14.5	12	650 [306.8]	7507425
		RCF2417STAM	18300 [5.4]	13900 [4.1]	4400 [1.3]	14.5	12	650 [306.8]	7507441
		RCF2421MTAM	18300 [5.4]	13200 [3.9]	5100 [1.5]	14.5	12	650 [306.8]	7507473
RA1324AJ1	R801TA050314MSA	RCF2414STAM	24400 [7.2]	17700 [5.2]	6700 [2.0]	14.5	12	800 [377.6]	7507611
		RCF2417HTAM	24400 [7.2]	17700 [5.2]	6700 [2.0]	14.5	12	875 [413.0]	7507613
		RCF2417MTAM	24200 [7.1]	17500 [5.1]	6700 [2.0]	14.5	12	850 [401.2]	7507631
		RCF2417STAM	24200 [7.1]	18300 [5.4]	5900 [1.7]	14	11.5	825 [389.4]	7507650
RA1324AJ1	R801TA075317ZSA	RCF2417HTAM	24400 [7.2]	17700 [5.2]	6700 [2.0]	14	11.5	875 [413.0]	7507614
		RCF2417MTAM	24400 [7.2]	17700 [5.2]	6700 [2.0]	14	11.5	875 [413.0]	7507632
		RCF2417STAM	24200 [7.1]	18400 [5.4]	5800 [1.7]	14	11.5	850 [401.2]	7507651
		RCF2421MTAM	24400 [7.2]	17700 [5.2]	6700 [2.0]	14	11.5	875 [413.0]	7507692
RA1330AJ1	R801TA050314MSA	RCF3617STAM	28800 [8.4]	22000 [6.4]	6800 [2.0]	14	11.5	1000 [471.9]	7507847
RA1330AJ1	R801TA075317ZSA	RCF3617STAM	28400 [8.3]	21200 [6.2]	7200 [2.1]	14	11.5	875 [413.0]	7507848
		RCF3621MTAM	30800 [9.0]	23200 [6.8]	7600 [2.2]	14.5	12	1075 [507.3]	7507865
		RCF3621STAM	28400 [8.3]	21200 [6.2]	7200 [2.1]	14	11.5	875 [413.0]	7507896
RA1330AJ1	R801TA075417MSA	RCF3617STAM	29000 [8.5]	22200 [6.5]	6800 [2.0]	14	11.5	1000 [471.9]	7507849
		RCF3621MTAM	30800 [9.0]	23100 [6.8]	7700 [2.3]	14.5	12	1050 [495.5]	7507866
		RCF3621STAM	29200 [8.6]	22500 [6.6]	6700 [2.0]	14	11.5	1025 [483.7]	7507897
RA1330AJ1	R801TA075521ZSA	RCF3621MTAM	30600 [9.0]	22700 [6.7]	7900 [2.3]	15	12.5	1000 [471.9]	7507867
		RCF3621STAM	29000 [8.5]	22100 [6.5]	6900 [2.0]	14	11.5	975 [460.1]	7507898
		RCF3624HTAM	31200 [9.1]	23000 [6.7]	8200 [2.4]	15.5	13	1025 [483.7]	7507927
		RCF3624MTAM	30600 [9.0]	22700 [6.7]	7900 [2.3]	15	12.5	1000 [471.9]	7507951
RA1330AJ1	R801TA100521MSA	RCF3621MTAM	30800 [9.0]	23100 [6.8]	7700 [2.3]	15.1	12.5	1050 [495.5]	7507868
		RCF3621STAM	29000 [8.5]	22200 [6.5]	6800 [2.0]	14	11.5	1000 [471.9]	7507899
		RCF3624HTAM	31800 [9.3]	24000 [7.0]	7800 [2.3]	15.5	13	1100 [519.1]	7507928
		RCF3624MTAM	30800 [9.0]	23100 [6.8]	7700 [2.3]	15.1	12.5	1050 [495.5]	7507952
RA1330AJ1	R801TA100521ZSA	RCF3621MTAM	30600 [9.0]	22600 [6.6]	8000 [2.3]	15.1	12.5	975 [460.1]	7507869
		RCF3621STAM	29000 [8.5]	22100 [6.5]	6900 [2.0]	14	11.5	975 [460.1]	7507900
		RCF3624HTAM	31200 [9.1]	23000 [6.7]	8200 [2.4]	15.5	13	1025 [483.7]	7507929
		RCF3624MTAM	30600 [9.0]	22600 [6.6]	8000 [2.3]	15.1	12.5	975 [460.1]	7507953
RA1330AJ1	R801TA125524ZSA	RCF3624HTAM	31200 [9.1]	22900 [6.7]	8300 [2.4]	15.5	13	975 [460.1]	7507930
		RCF3624MTAM	30200 [8.9]	22000 [6.4]	8200 [2.4]	15	12.5	925 [436.6]	7507954
RA1336AC1	R801TA050314MSA	RCF3617STAM	35000 [10.3]	24700 [7.2]	10300 [3.0]	13.5	11.5	1000 [471.9]	7508192
RA1336AC1	R801TA075317ZSA	RCF3617STAM	35000 [10.3]	25000 [7.3]	10000 [2.9]	13.5	11.5	1050 [495.5]	7508193
		RCF3621MTAM	38000 [11.1]	27300 [8.0]	10700 [3.1]	14	11.5	1250 [589.9]	7508210
		RCF3621STAM	35000 [10.3]	25000 [7.3]	10000 [2.9]	13.5	11.5	1050 [495.5]	7508241
RA1336AC1	R801TA075417MSA	RCF3617STAM	36000 [10.6]	26800 [7.9]	9200 [2.7]	13.5	11.5	1225 [578.1]	7508194
		RCF3621MTAM	38000 [11.1]	27100 [7.9]	10900 [3.2]	14.5	12	1200 [566.3]	7508211
		RCF3621STAM	36000 [10.6]	26900 [7.9]	9100 [2.7]	13.5	11.5	1250 [589.9]	7508242
RA1336AC1	R801TA075521ZSA	RCF3621MTAM	37200 [10.9]	25300 [7.4]	11900 [3.5]	14.5	12	1000 [471.9]	7508212
		RCF3621STAM	35800 [10.5]	26300 [7.7]	9500 [2.8]	13.5	11.5	1175 [554.5]	7508243
		RCF3624HTAM	38000 [11.1]	26200 [7.7]	11800 [3.5]	15.1	12.5	1025 [483.7]	7508272
		RCF3624MTAM	37200 [10.9]	25300 [7.4]	11900 [3.5]	14.5	12	1000 [471.9]	7508299

[] Designates Metric Conversions

Performance Data @ AHRI Standard Conditions – Cooling (con't.)

R801T Furnace Ratings									
Outdoor Unit	Furnace	Indoor Coil	Total Capacity BTU/H [kW]	Net Sensible BTU/H [kW]	Net Latent BTU/H [kW]	SEER	EER	Indoor CFM [L/s]	AHRI#
RA1336AC1	R801TA100521MSA	RCF3621MTAM	37200 [10.9]	25500 [7.5]	11700 [3.4]	14.5	12	1050 [495.5]	7508213
		RCF3621STAM	35200 [10.3]	24900 [7.3]	10300 [3.0]	14	11.5	1000 [471.9]	7508244
		RCF3624HTAM	38500 [11.3]	27000 [7.9]	11500 [3.4]	15.1	12.5	1100 [519.1]	7508273
		RCF3624MTAM	37200 [10.9]	25500 [7.5]	11700 [3.4]	14.5	12	1050 [495.5]	7508300
RA1336AC1	R801TA100521ZSA	RCF3621MTAM	38000 [11.1]	27200 [8.0]	10800 [3.2]	14.5	12	1225 [578.1]	7508214
		RCF3621STAM	35800 [10.5]	26300 [7.7]	9500 [2.8]	13.5	11.5	1175 [554.5]	7508245
		RCF3624HTAM	38000 [11.1]	26200 [7.7]	11800 [3.5]	15.1	12.5	1025 [483.7]	7508274
		RCF3624MTAM	38000 [11.1]	27200 [8.0]	10800 [3.2]	14.5	12	1225 [578.1]	7508301
RA1336AC1	R801TA125524MSA	RCF3624HTAM	39000 [11.4]	28000 [8.2]	11000 [3.2]	15.1	12.5	1200 [566.3]	7508275
		RCF3624MTAM	38000 [11.1]	26900 [7.9]	11100 [3.3]	14.5	12	1175 [554.5]	7508302
RA1336AC1	R801TA125524ZSA	RCF3624HTAM	39000 [11.4]	27800 [8.1]	11200 [3.3]	15.1	12.5	1150 [542.7]	7508276
		RCF3624MTAM	37600 [11.0]	26200 [7.7]	11400 [3.3]	14.5	12	1100 [519.1]	7508303
RA1336AJ1	R801TA050314MSA	RCF3617STAM	35000 [10.3]	24700 [7.2]	10300 [3.0]	13.5	11.5	1000 [471.9]	7508558
RA1336AJ1	R801TA075317ZSA	RCF3617STAM	35000 [10.3]	25000 [7.3]	10000 [2.9]	13.5	11.5	1050 [495.5]	7508559
		RCF3621MTAM	38000 [11.1]	27300 [8.0]	10700 [3.1]	14	11.5	1250 [589.9]	7508576
		RCF3621STAM	35000 [10.3]	25000 [7.3]	10000 [2.9]	13.5	11.5	1050 [495.5]	7508607
RA1336AJ1	R801TA075417MSA	RCF3617STAM	36000 [10.6]	26800 [7.9]	9200 [2.7]	13.5	11.5	1225 [578.1]	7508560
		RCF3621MTAM	38000 [11.1]	27100 [7.9]	10900 [3.2]	14.5	12	1200 [566.3]	7508577
		RCF3621STAM	36000 [10.6]	26900 [7.9]	9100 [2.7]	13.5	11.5	1250 [589.9]	7508608
RA1336AJ1	R801TA075521ZSA	RCF3621MTAM	37200 [10.9]	25300 [7.4]	11900 [3.5]	14.5	12	1000 [471.9]	7508578
		RCF3621STAM	35800 [10.5]	26300 [7.7]	9500 [2.8]	13.5	11.5	1175 [554.5]	7508609
		RCF3624HTAM	38000 [11.1]	26200 [7.7]	11800 [3.5]	15.1	12.5	1025 [483.7]	7508638
		RCF3624MTAM	37200 [10.9]	25300 [7.4]	11900 [3.5]	14.5	12	1000 [471.9]	7508665
RA1336AJ1	R801TA100521MSA	RCF3621MTAM	37200 [10.9]	25500 [7.5]	11700 [3.4]	14.5	12	1050 [495.5]	7508579
		RCF3621STAM	35200 [10.3]	24900 [7.3]	10300 [3.0]	14	11.5	1000 [471.9]	7508610
		RCF3624HTAM	38500 [11.3]	27000 [7.9]	11500 [3.4]	15.1	12.5	1100 [519.1]	7508639
		RCF3624MTAM	37200 [10.9]	25500 [7.5]	11700 [3.4]	14.5	12	1050 [495.5]	7508666
RA1336AJ1	R801TA100521ZSA	RCF3621MTAM	38000 [11.1]	27200 [8.0]	10800 [3.2]	14.5	12	1225 [578.1]	7508580
		RCF3621STAM	35800 [10.5]	26300 [7.7]	9500 [2.8]	13.5	11.5	1175 [554.5]	7508611
		RCF3624HTAM	38000 [11.1]	26200 [7.7]	11800 [3.5]	15.1	12.5	1025 [483.7]	7508640
		RCF3624MTAM	38000 [11.1]	27200 [8.0]	10800 [3.2]	14.5	12	1225 [578.1]	7508667
RA1336AJ1	R801TA125524MSA	RCF3624HTAM	39000 [11.4]	28000 [8.2]	11000 [3.2]	15.1	12.5	1200 [566.3]	7508641
		RCF3624MTAM	38000 [11.1]	26900 [7.9]	11100 [3.3]	14.5	12	1175 [554.5]	7508668
RA1336AJ1	R801TA125524ZSA	RCF3624HTAM	39000 [11.4]	27800 [8.1]	11200 [3.3]	15.1	12.5	1150 [542.7]	7508642
		RCF3624MTAM	37600 [11.0]	26200 [7.7]	11400 [3.3]	14.5	12	1100 [519.1]	7508669
RA1342AC1	R801TA075317ZSA	RCF4821STAM	40000 [11.7]	29000 [8.5]	11000 [3.2]	13.5	11.5	1250 [589.9]	7511559
RA1342AC1	R801TA075417MSA	RCF4821STAM	40000 [11.7]	29100 [8.5]	10900 [3.2]	13.5	11.5	1275 [601.7]	7511560
RA1342AC1	R801TA075521ZSA	RCF4821STAM	40000 [11.7]	28800 [8.4]	11200 [3.3]	13.5	11.5	1225 [578.1]	7511561
		RCF4824HTAM	41500 [12.2]	28600 [8.4]	12900 [3.8]	14	11.5	1250 [589.9]	7511589
		RCF4824STAM	40000 [11.7]	28800 [8.4]	11200 [3.3]	13.5	11.5	1225 [578.1]	7511617
RA1342AC1	R801TA100521MSA	RCF4821STAM	40500 [11.9]	29900 [8.8]	10600 [3.1]	14	11.5	1325 [625.3]	7511562
		RCF4824HTAM	42000 [12.3]	29600 [8.7]	12400 [3.6]	14.5	12	1350 [637.1]	7511590
		RCF4824STAM	40500 [11.9]	29900 [8.8]	10600 [3.1]	14	11.5	1325 [625.3]	7511618
RA1342AC1	R801TA100521ZSA	RCF4821STAM	40500 [11.9]	30300 [8.9]	10200 [3.0]	13.5	11.5	1425 [672.5]	7511563
		RCF4824HTAM	42500 [12.5]	30700 [9.0]	11800 [3.5]	14	11.5	1450 [684.3]	7511591
		RCF4824STAM	40500 [11.9]	30300 [8.9]	10200 [3.0]	13.5	11.5	1425 [672.5]	7511619
RA1342AC1	R801TA125524MSA	RCF4824HTAM	42500 [12.5]	30400 [8.9]	12100 [3.5]	14.5	12	1400 [660.7]	7511592
		RCF4824STAM	40500 [11.9]	30000 [8.8]	10500 [3.1]	14	11.5	1350 [637.1]	7511620

[] Designates Metric Conversions

Performance Data @ AHRI Standard Conditions – Cooling (con't.)

R801T Furnace Ratings									
Outdoor Unit	Furnace	Indoor Coil	Total Capacity BTU/H [kW]	Net Sensible BTU/H [kW]	Net Latent BTU/H [kW]	SEER	EER	Indoor CFM [L/s]	AHRI#
RA1342AC1	R801TA125524ZSA	RCF4824HTAM	41500 [12.2]	28100 [8.2]	13400 [3.9]	14.5	12	1150 [542.7]	7511593
		RCF4824STAM	39500 [11.6]	27700 [8.1]	11800 [3.5]	14	11.5	1100 [519.1]	7511621
RA1342AJ1	R801TA075317ZSA	RCF4821STAM	40000 [11.7]	29000 [8.5]	11000 [3.2]	13.5	11.5	1250 [589.9]	7511793
RA1342AJ1	R801TA075417MSA	RCF4821STAM	40000 [11.7]	29100 [8.5]	10900 [3.2]	13.5	11.5	1275 [601.7]	7511794
RA1342AJ1	R801TA075521ZSA	RCF4821STAM	40000 [11.7]	28800 [8.4]	11200 [3.3]	13.5	11.5	1225 [578.1]	7511795
		RCF4824HTAM	41500 [12.2]	28600 [8.4]	12900 [3.8]	14	11.5	1250 [589.9]	7511823
		RCF4824STAM	40000 [11.7]	28800 [8.4]	11200 [3.3]	13.5	11.5	1225 [578.1]	7511851
RA1342AJ1	R801TA100521MSA	RCF4821STAM	40500 [11.9]	29900 [8.8]	10600 [3.1]	14	11.5	1325 [625.3]	7511796
		RCF4824HTAM	42000 [12.3]	29600 [8.7]	12400 [3.6]	14.5	12	1350 [637.1]	7511824
		RCF4824STAM	40500 [11.9]	29900 [8.8]	10600 [3.1]	14	11.5	1325 [625.3]	7511852
RA1342AJ1	R801TA100521ZSA	RCF4821STAM	40500 [11.9]	30300 [8.9]	10200 [3.0]	13.5	11.5	1425 [672.5]	7511797
		RCF4824HTAM	42500 [12.5]	30700 [9.0]	11800 [3.5]	14	11.5	1450 [684.3]	7511825
		RCF4824STAM	40500 [11.9]	30300 [8.9]	10200 [3.0]	13.5	11.5	1425 [672.5]	7511853
RA1342AJ1	R801TA125524MSA	RCF4824HTAM	42500 [12.5]	30400 [8.9]	12100 [3.5]	14.5	12	1400 [660.7]	7511826
		RCF4824STAM	40500 [11.9]	30000 [8.8]	10500 [3.1]	14	11.5	1350 [637.1]	7511854
RA1342AJ1	R801TA125524ZSA	RCF4824HTAM	41500 [12.2]	28100 [8.2]	13400 [3.9]	14.5	12	1150 [542.7]	7511827
		RCF4824STAM	39500 [11.6]	27700 [8.1]	11800 [3.5]	14	11.5	1100 [519.1]	7511855
RA1348AC1	R801TA075417MSA	RCF4821STAM	47000 [13.8]	32800 [9.6]	14200 [4.2]	13	11.5	1375 [648.9]	7508924
RA1348AC1	R801TA075521ZSA	RCF4821STAM	47000 [13.8]	33000 [9.7]	14000 [4.1]	13	11.5	1400 [660.7]	7508925
		RCF4824HTAM	50000 [14.7]	34300 [10.1]	15700 [4.6]	13.5	11.5	1450 [684.3]	7508939
		RCF4824STAM	47000 [13.8]	33000 [9.7]	14000 [4.1]	13	11.5	1400 [660.7]	7508970
RA1348AC1	R801TA100521MSA	RCF4821STAM	47000 [13.8]	32800 [9.6]	14200 [4.2]	13.5	11.5	1375 [648.9]	7508926
		RCF4824HTAM	50000 [14.7]	34200 [10.0]	15800 [4.6]	14	11.5	1425 [672.5]	7508940
		RCF4824STAM	47000 [13.8]	32800 [9.6]	14200 [4.2]	13.5	11.5	1375 [648.9]	7508973
RA1348AC1	R801TA100521ZSA	RCF4821STAM	47000 [13.8]	33000 [9.7]	14000 [4.1]	13	11.5	1400 [660.7]	7508927
		RCF4824HTAM	49500 [14.5]	33700 [9.9]	15800 [4.6]	13.5	11.5	1425 [672.5]	7508941
		RCF4824STAM	47000 [13.8]	33000 [9.7]	14000 [4.1]	13	11.5	1400 [660.7]	7508975
RA1348AC1	R801TA125524MSA	RCF4824HTAM	49500 [14.5]	33300 [9.8]	16200 [4.7]	14	11.5	1375 [648.9]	7508942
		RCF4824STAM	47000 [13.8]	32500 [9.5]	14500 [4.2]	13.5	11.5	1325 [625.3]	7508977
RA1348AC1	R801TA125524ZSA	RCF4824HTAM	49500 [14.5]	33300 [9.8]	16200 [4.7]	13.5	11.5	1375 [648.9]	7508943
		RCF4824STAM	47000 [13.8]	32500 [9.5]	14500 [4.2]	13	11.5	1325 [625.3]	7508979
RA1348AJ1	R801TA075417MSA	RCF4821STAM	47000 [13.8]	32800 [9.6]	14200 [4.2]	13	11.5	1375 [648.9]	7509149
RA1348AJ1	R801TA075521ZSA	RCF4821STAM	47000 [13.8]	33000 [9.7]	14000 [4.1]	13	11.5	1400 [660.7]	7509150
		RCF4824HTAM	50000 [14.7]	34300 [10.1]	15700 [4.6]	13.5	11.5	1450 [684.3]	7509164
		RCF4824STAM	47000 [13.8]	33000 [9.7]	14000 [4.1]	13	11.5	1400 [660.7]	7509189
RA1348AJ1	R801TA100521MSA	RCF4821STAM	47000 [13.8]	32800 [9.6]	14200 [4.2]	13.5	11.5	1375 [648.9]	7509151
		RCF4824HTAM	50000 [14.7]	34200 [10.0]	15800 [4.6]	14	11.5	1425 [672.5]	7509165
		RCF4824STAM	47000 [13.8]	32800 [9.6]	14200 [4.2]	13.5	11.5	1375 [648.9]	7509190
RA1348AJ1	R801TA100521ZSA	RCF4821STAM	47000 [13.8]	33000 [9.7]	14000 [4.1]	13	11.5	1400 [660.7]	7509152
		RCF4824HTAM	49500 [14.5]	33700 [9.9]	15800 [4.6]	13.5	11.5	1425 [672.5]	7509166
		RCF4824STAM	47000 [13.8]	33000 [9.7]	14000 [4.1]	13	11.5	1400 [660.7]	7509191
RA1348AJ1	R801TA125524MSA	RCF4824HTAM	49500 [14.5]	33300 [9.8]	16200 [4.7]	14	11.5	1375 [648.9]	7509167
		RCF4824STAM	47000 [13.8]	32500 [9.5]	14500 [4.2]	13.5	11.5	1325 [625.3]	7509192
RA1348AJ1	R801TA125524ZSA	RCF4824HTAM	49500 [14.5]	33300 [9.8]	16200 [4.7]	13.5	11.5	1375 [648.9]	7509168
		RCF4824STAM	47000 [13.8]	32500 [9.5]	14500 [4.2]	13	11.5	1325 [625.3]	7509193
RA1360AC1	R801TA075521ZSA	RCF6024HTAM	56000 [16.4]	38500 [11.3]	17500 [5.1]	13	11	1450 [684.3]	7509291
		RCF6024STAM	56000 [16.4]	38500 [11.3]	17500 [5.1]	13	11	1450 [684.3]	7509315

[] Designates Metric Conversions

Performance Data @ AHRI Standard Conditions – Cooling (con't.)

R801T Furnace Ratings									
Outdoor Unit	Furnace	Indoor Coil	Total Capacity BTU/H [kW]	Net Sensible BTU/H [kW]	Net Latent BTU/H [kW]	SEER	EER	Indoor CFM [L/s]	AHRI#
RA1360AC1	R801TA100521MSA	RCF6024HTAM	57000 [16.7]	41100 [12.0]	15900 [4.7]	13.5	11.5	1650 [778.7]	7509292
		RCF6024STAM	57000 [16.7]	41100 [12.0]	15900 [4.7]	13.5	11.5	1650 [778.7]	7509316
RA1360AC1	R801TA100521ZSA	RCF6024HTAM	57000 [16.7]	41500 [12.2]	15500 [4.5]	13	11	1700 [802.3]	7509293
		RCF6024STAM	57000 [16.7]	41500 [12.2]	15500 [4.5]	13	11	1700 [802.3]	7509317
RA1360AC1	R801TA125524MSA	RCF6024HTAM	57000 [16.7]	41100 [12.0]	15900 [4.7]	13.5	11.5	1650 [778.7]	7509294
		RCF6024STAM	57000 [16.7]	41100 [12.0]	15900 [4.7]	13.5	11.5	1650 [778.7]	7509318
RA1360AC1	R801TA125524ZSA	RCF6024HTAM	57000 [16.7]	41300 [12.1]	15700 [4.6]	13	11	1675 [790.5]	7509295
		RCF6024STAM	57000 [16.7]	41300 [12.1]	15700 [4.6]	13	11	1675 [790.5]	7509319
RA1360AJ1	R801TA075521ZSA	RCF6024HTAM	56000 [16.4]	38500 [11.3]	17500 [5.1]	13	11	1450 [684.3]	7509413
		RCF6024STAM	56000 [16.4]	38500 [11.3]	17500 [5.1]	13	11	1450 [684.3]	7509437
RA1360AJ1	R801TA100521MSA	RCF6024HTAM	57000 [16.7]	41100 [12.0]	15900 [4.7]	13.5	11.5	1650 [778.7]	7509414
		RCF6024STAM	57000 [16.7]	41100 [12.0]	15900 [4.7]	13.5	11.5	1650 [778.7]	7509438
RA1360AJ1	R801TA100521ZSA	RCF6024HTAM	57000 [16.7]	41500 [12.2]	15500 [4.5]	13	11	1700 [802.3]	7509415
		RCF6024STAM	57000 [16.7]	41500 [12.2]	15500 [4.5]	13	11	1700 [802.3]	7509439
RA1360AJ1	R801TA125524MSA	RCF6024HTAM	57000 [16.7]	41100 [12.0]	15900 [4.7]	13.5	11.5	1650 [778.7]	7509416
		RCF6024STAM	57000 [16.7]	41100 [12.0]	15900 [4.7]	13.5	11.5	1650 [778.7]	7509440
RA1360AJ1	R801TA125524ZSA	RCF6024HTAM	57000 [16.7]	41300 [12.1]	15700 [4.6]	13	11	1675 [790.5]	7509417
		RCF6024STAM	57000 [16.7]	41300 [12.1]	15700 [4.6]	13	11	1675 [790.5]	7509441

[] Designates Metric Conversions

Performance Data @ AHRI Standard Conditions – Cooling (con't.)

R95T Furnace Ratings									
Outdoor Unit	Furnace	Indoor Coil	Total Capacity BTU/H [kW]	Net Sensible BTU/H [kW]	Net Latent BTU/H [kW]	SEER	EER	Indoor CFM [L/s]	AHRI#
RA1318AJ1	R95TA0401317MSA	RCF2417HTAM	18200 [5.3]	13100 [3.8]	5100 [1.5]	14.5	12	650 [306.8]	7507411
		RCF2417MTAM	18200 [5.3]	13100 [3.8]	5100 [1.5]	14.5	12	650 [306.8]	7507426
		RCF2417STAM	18200 [5.3]	13800 [4.0]	4400 [1.3]	14.5	12	650 [306.8]	7507442
		RCF2421MTAM	18200 [5.3]	13100 [3.8]	5100 [1.5]	14.5	12	650 [306.8]	7507474
RA1324AJ1	R95TA0401317MSA	RCF2417HTAM	24400 [7.2]	17700 [5.2]	6700 [2.0]	14	11.5	875 [413.0]	7507615
		RCF2417MTAM	24400 [7.2]	17700 [5.2]	6700 [2.0]	14	11.5	875 [413.0]	7507633
		RCF2417STAM	24200 [7.1]	18400 [5.4]	5800 [1.7]	14	11.5	850 [401.2]	7507652
		RCF2421MTAM	24400 [7.2]	17700 [5.2]	6700 [2.0]	14	11.5	875 [413.0]	7507693
RA1324AJ1	R95TA0601317MSA	RCF2417HTAM	24200 [7.1]	17500 [5.1]	6700 [2.0]	14	11.5	850 [401.2]	7507616
		RCF2417MTAM	24000 [7.0]	17300 [5.1]	6700 [2.0]	14	11.5	850 [401.2]	7507634
		RCF2417STAM	23400 [6.9]	17200 [5.0]	6200 [1.8]	14	11.5	700 [330.4]	7507653
		RCF2421MTAM	24000 [7.0]	17300 [5.1]	6700 [2.0]	14	11.5	850 [401.2]	7507694
RA1324AJ1	R95TA0701317MSA	RCF2417HTAM	24000 [7.0]	17300 [5.1]	6700 [2.0]	14	11.5	850 [401.2]	7507617
		RCF2417MTAM	24000 [7.0]	17300 [5.1]	6700 [2.0]	14	11.5	850 [401.2]	7507635
		RCF2417STAM	24000 [7.0]	18100 [5.3]	5900 [1.7]	13.5	11.5	825 [389.4]	7507654
		RCF2421MTAM	24000 [7.0]	17300 [5.1]	6700 [2.0]	14	11.5	850 [401.2]	7507695
RA1330AJ1	R95TA0401317MSA	RCF3617STAM	28600 [8.4]	21600 [6.3]	7000 [2.1]	14	11.5	925 [436.6]	7507850
		RCF3621MTAM	30800 [9.0]	23300 [6.8]	7500 [2.2]	14.5	12	1100 [519.1]	7507870
		RCF3621STAM	28800 [8.4]	21900 [6.4]	6900 [2.0]	14	11.5	950 [448.4]	7507901
RA1330AJ1	R95TA0601317MSA	RCF3617STAM	28800 [8.4]	22100 [6.5]	6700 [2.0]	13.5	11.5	1025 [483.7]	7507851
		RCF3621MTAM	30000 [8.8]	21700 [6.4]	8300 [2.4]	14.5	12	900 [424.8]	7507871
		RCF3621STAM	29000 [8.5]	22400 [6.6]	6600 [1.9]	13.5	11.5	1050 [495.5]	7507902
RA1330AJ1	R95TA0701317MSA	RCF3617STAM	28400 [8.3]	21400 [6.3]	7000 [2.1]	13.5	11.5	925 [436.6]	7507852
		RCF3621MTAM	29800 [8.7]	21400 [6.3]	8400 [2.5]	14.5	12	875 [413.0]	7507872
		RCF3621STAM	28400 [8.3]	21400 [6.3]	7000 [2.1]	13.5	11.5	925 [436.6]	7507903
RA1336AC1	R95TA0401317MSA	RCF3617STAM	35000 [10.3]	25000 [7.3]	10000 [2.9]	13.5	11.5	1050 [495.5]	7508195
		RCF3621MTAM	37800 [11.1]	26700 [7.8]	11100 [3.3]	14	11.5	1175 [554.5]	7508215
		RCF3621STAM	35200 [10.3]	25300 [7.4]	9900 [2.9]	13.5	11.5	1075 [507.3]	7508246
RA1336AC1	R95TA0601317MSA	RCF3617STAM	34800 [10.2]	24500 [7.2]	10300 [3.0]	13	11.5	1000 [471.9]	7508196
		RCF3621MTAM	36800 [10.8]	25100 [7.4]	11700 [3.4]	14	11.5	1050 [495.5]	7508216
		RCF3621STAM	34800 [10.2]	24700 [7.2]	10100 [3.0]	13	11.5	1025 [483.7]	7508247
RA1336AC1	R95TA0701317MSA	RCF3617STAM	34600 [10.1]	24500 [7.2]	10100 [3.0]	13	11	1025 [483.7]	7508197
		RCF3621MTAM	37000 [10.8]	25500 [7.5]	11500 [3.4]	14	11.5	1075 [507.3]	7508217
		RCF3621STAM	34200 [10.0]	23700 [6.9]	10500 [3.1]	13	11.5	925 [436.6]	7508248
RA1336AC1	R95TA1151524MSA	RCF3624HTAM	39500 [11.6]	29100 [8.5]	10400 [3.0]	14	11.5	1325 [625.3]	7508277
		RCF3624MTAM	38000 [11.1]	27400 [8.0]	10600 [3.1]	13.5	11.5	1275 [601.7]	7508304
RA1336AJ1	R95TA0401317MSA	RCF3617STAM	35000 [10.3]	25000 [7.3]	10000 [2.9]	13.5	11.5	1050 [495.5]	7508561
		RCF3621MTAM	37800 [11.1]	26700 [7.8]	11100 [3.3]	14	11.5	1175 [554.5]	7508581
		RCF3621STAM	35200 [10.3]	25300 [7.4]	9900 [2.9]	13.5	11.5	1075 [507.3]	7508612
RA1336AJ1	R95TA0601317MSA	RCF3617STAM	34800 [10.2]	24500 [7.2]	10300 [3.0]	13	11.5	1000 [471.9]	7508562
		RCF3621MTAM	36800 [10.8]	25100 [7.4]	11700 [3.4]	14	11.5	1050 [495.5]	7508582
		RCF3621STAM	34800 [10.2]	24700 [7.2]	10100 [3.0]	13	11.5	1025 [483.7]	7508613
RA1336AJ1	R95TA0701317MSA	RCF3617STAM	34600 [10.1]	24500 [7.2]	10100 [3.0]	13	11	1025 [483.7]	7508563
		RCF3621MTAM	37000 [10.8]	25500 [7.5]	11500 [3.4]	14	11.5	1075 [507.3]	7508583
		RCF3621STAM	34200 [10.0]	23700 [6.9]	10500 [3.1]	13	11.5	925 [436.6]	7508614
RA1336AJ1	R95TA1151524MSA	RCF3624HTAM	39500 [11.6]	29100 [8.5]	10400 [3.0]	14	11.5	1325 [625.3]	7508643
		RCF3624MTAM	38000 [11.1]	27400 [8.0]	10600 [3.1]	13.5	11.5	1275 [601.7]	7508670
RA1342AC1	R95TA0401317MSA	RCF4821STAM	39500 [11.6]	28100 [8.2]	11400 [3.3]	13.5	11.5	1175 [554.5]	7511564

[] Designates Metric Conversions

Performance Data @ AHRI Standard Conditions – Cooling (con't.)

R95T Furnace Ratings									
Outdoor Unit	Furnace	Indoor Coil	Total Capacity BTU/H [kW]	Net Sensible BTU/H [kW]	Net Latent BTU/H [kW]	SEER	EER	Indoor CFM [L/s]	AHRI#
RA1342AC1	R95TA0601317MSA	RCF4821STAM	39000 [11.4]	26900 [7.9]	12100 [3.5]	13.5	11.5	1050 [495.5]	7511565
RA1342AC1	R95TA0701317MSA	RCF4821STAM	39000 [11.4]	27300 [8.0]	11700 [3.4]	13	11.5	1125 [530.9]	7511566
RA1342AC1	R95TA0851521MSA	RCF4821STAM	40000 [11.7]	29400 [8.6]	10600 [3.1]	13	11.5	1325 [625.3]	7511567
		RCF4824HTAM	42500 [12.5]	31000 [9.1]	11500 [3.4]	13.5	11.5	1500 [707.9]	7511594
		RCF4824STAM	40000 [11.7]	29400 [8.6]	10600 [3.1]	13	11.5	1325 [625.3]	7511622
RA1342AC1	R95TA1001521MSA	RCF4821STAM	40500 [11.9]	30300 [8.9]	10200 [3.0]	13	11.5	1400 [660.7]	7511568
		RCF4824HTAM	42000 [12.3]	30200 [8.9]	11800 [3.5]	13.5	11.5	1450 [684.3]	7511595
		RCF4824STAM	40500 [11.9]	30300 [8.9]	10200 [3.0]	13	11.5	1400 [660.7]	7511623
RA1342AC1	R95TA1151524MSA	RCF4824HTAM	42000 [12.3]	30200 [8.9]	11800 [3.5]	13.5	11.5	1450 [684.3]	7511596
		RCF4824STAM	40500 [11.9]	30300 [8.9]	10200 [3.0]	13	11.5	1425 [672.5]	7511624
RA1342AJ1	R95TA0401317MSA	RCF4821STAM	39500 [11.6]	28100 [8.2]	11400 [3.3]	13.5	11.5	1175 [554.5]	7511798
RA1342AJ1	R95TA0601317MSA	RCF4821STAM	39000 [11.4]	26900 [7.9]	12100 [3.5]	13.5	11.5	1050 [495.5]	7511799
RA1342AJ1	R95TA0701317MSA	RCF4821STAM	39000 [11.4]	27300 [8.0]	11700 [3.4]	13	11.5	1125 [530.9]	7511800
RA1342AJ1	R95TA0851521MSA	RCF4821STAM	40000 [11.7]	29400 [8.6]	10600 [3.1]	13	11.5	1325 [625.3]	7511801
		RCF4824HTAM	42500 [12.5]	31000 [9.1]	11500 [3.4]	13.5	11.5	1500 [707.9]	7511828
		RCF4824STAM	40000 [11.7]	29400 [8.6]	10600 [3.1]	13	11.5	1325 [625.3]	7511856
RA1342AJ1	R95TA1001521MSA	RCF4821STAM	40500 [11.9]	30300 [8.9]	10200 [3.0]	13	11.5	1400 [660.7]	7511802
		RCF4824HTAM	42000 [12.3]	30200 [8.9]	11800 [3.5]	13.5	11.5	1450 [684.3]	7511829
		RCF4824STAM	40500 [11.9]	30300 [8.9]	10200 [3.0]	13	11.5	1400 [660.7]	7511857
RA1342AJ1	R95TA1151524MSA	RCF4824HTAM	42000 [12.3]	30200 [8.9]	11800 [3.5]	13.5	11.5	1450 [684.3]	7511830
		RCF4824STAM	40500 [11.9]	30300 [8.9]	10200 [3.0]	13	11.5	1425 [672.5]	7511858
RA1348AC1	R95TA0851521MSA	RCF4821STAM	46500 [13.6]	31900 [9.3]	14600 [4.3]	13	11	1300 [613.5]	7508928
		RCF4824HTAM	49000 [14.4]	32700 [9.6]	16300 [4.8]	13.5	11.5	1350 [637.1]	7508944
		RCF4824STAM	46500 [13.6]	31900 [9.3]	14600 [4.3]	13	11	1300 [613.5]	7508982
RA1348AC1	R95TA1001521MSA	RCF4821STAM	47000 [13.8]	32800 [9.6]	14200 [4.2]	13	11	1375 [648.9]	7508929
		RCF4824HTAM	49500 [14.5]	33700 [9.9]	15800 [4.6]	13.5	11.5	1425 [672.5]	7508945
		RCF4824STAM	47000 [13.8]	32800 [9.6]	14200 [4.2]	13	11	1375 [648.9]	7508984
RA1348AC1	R95TA1151524MSA	RCF4824HTAM	50000 [14.7]	35400 [10.4]	14600 [4.3]	13	11.5	1600 [755.1]	7508946
		RCF4824STAM	46500 [13.6]	31700 [9.3]	14800 [4.3]	13	11.5	1275 [601.7]	7508986
RA1348AJ1	R95TA0851521MSA	RCF4821STAM	46500 [13.6]	31900 [9.3]	14600 [4.3]	13	11	1300 [613.5]	7509153
		RCF4824HTAM	49000 [14.4]	32700 [9.6]	16300 [4.8]	13.5	11.5	1350 [637.1]	7509169
		RCF4824STAM	46500 [13.6]	31900 [9.3]	14600 [4.3]	13	11	1300 [613.5]	7509194
RA1348AJ1	R95TA1001521MSA	RCF4821STAM	47000 [13.8]	32800 [9.6]	14200 [4.2]	13	11	1375 [648.9]	7509154
		RCF4824HTAM	49500 [14.5]	33700 [9.9]	15800 [4.6]	13.5	11.5	1425 [672.5]	7509170
		RCF4824STAM	47000 [13.8]	32800 [9.6]	14200 [4.2]	13	11	1375 [648.9]	7509195
RA1348AJ1	R95TA1151524MSA	RCF4824HTAM	50000 [14.7]	35400 [10.4]	14600 [4.3]	13	11.5	1600 [755.1]	7509171
		RCF4824STAM	46500 [13.6]	31700 [9.3]	14800 [4.3]	13	11.5	1275 [601.7]	7509196
RA1360AC1	R95TA0851521MSA	RCF6024HTAM	55500 [16.3]	38200 [11.2]	17300 [5.1]	13	11	1475 [696.1]	7509296
		RCF6024STAM	55500 [16.3]	38200 [11.2]	17300 [5.1]	13	11	1475 [696.1]	7509320
RA1360AC1	R95TA1001521MSA	RCF6024HTAM	56000 [16.4]	39300 [11.5]	16700 [4.9]	13	11	1550 [731.5]	7509297
		RCF6024STAM	56000 [16.4]	39300 [11.5]	16700 [4.9]	13	11	1550 [731.5]	7509321
RA1360AC1	R95TA1151524MSA	RCF6024HTAM	55500 [16.3]	37900 [11.1]	17600 [5.2]	13	11	1425 [672.5]	7509298
		RCF6024STAM	55500 [16.3]	37900 [11.1]	17600 [5.2]	13	11	1425 [672.5]	7509322
RA1360AJ1	R95TA0851521MSA	RCF6024HTAM	55500 [16.3]	38200 [11.2]	17300 [5.1]	13	11	1475 [696.1]	7509418
		RCF6024STAM	55500 [16.3]	38200 [11.2]	17300 [5.1]	13	11	1475 [696.1]	7509442
RA1360AJ1	R95TA1001521MSA	RCF6024HTAM	56000 [16.4]	39300 [11.5]	16700 [4.9]	13	11	1550 [731.5]	7509419
		RCF6024STAM	56000 [16.4]	39300 [11.5]	16700 [4.9]	13	11	1550 [731.5]	7509443
RA1360AJ1	R95TA1151524MSA	RCF6024HTAM	55500 [16.3]	37900 [11.1]	17600 [5.2]	13	11	1425 [672.5]	7509420
		RCF6024STAM	55500 [16.3]	37900 [11.1]	17600 [5.2]	13	11	1425 [672.5]	7509444

[] Designates Metric Conversions

Performance Data @ AHRI Standard Conditions – Cooling (con't.)

RGFG Furnace Ratings									
Outdoor Unit	Furnace	Indoor Coil	Total Capacity BTU/H [kW]	Net Sensible BTU/H [kW]	Net Latent BTU/H [kW]	SEER	EER	Indoor CFM [L/s]	AHRI#
RA1318AJ1	RGFG-06?MCK?	RCF2417HTAM	18000 [5.3]	12800 [3.8]	5200 [1.5]	14.5	12	575 [271.4]	7507412
		RCF2417MTAM	18000 [5.3]	12800 [3.8]	5200 [1.5]	14.5	12	575 [271.4]	7507427
		RCF2417STAM	17900 [5.2]	13400 [3.9]	4500 [1.3]	14.5	12	575 [271.4]	7507443
		RCF2421MTAM	18000 [5.3]	12800 [3.8]	5200 [1.5]	14.5	12	575 [271.4]	7507475
RA1318AJ1	RGFG-07?MCK?	RCF2417HTAM	18300 [5.4]	13200 [3.9]	5100 [1.5]	14.5	12	650 [306.8]	7507413
		RCF2417MTAM	18200 [5.3]	13100 [3.8]	5100 [1.5]	14.5	12	650 [306.8]	7507428
		RCF2417STAM	18200 [5.3]	13800 [4.0]	4400 [1.3]	14.5	12	650 [306.8]	7507444
		RCF2421MTAM	18200 [5.3]	13100 [3.8]	5100 [1.5]	14.5	12	650 [306.8]	7507476
RA1318AJ1	RGFG-09?ZCM?	RCF2421MTAM	18400 [5.4]	13300 [3.9]	5100 [1.5]	14.5	12	675 [318.6]	7507477
RA1318AJ1	RGFG-10?ZCM?	RCF2421MTAM	18000 [5.3]	12800 [3.8]	5200 [1.5]	14.5	12	600 [283.2]	7507478
RA1324AJ1	RGFG-06?MCK?	RCF2417HTAM	24000 [7.0]	17100 [5.0]	6900 [2.0]	14	11.5	800 [377.6]	7507618
		RCF2417MTAM	24000 [7.0]	17100 [5.0]	6900 [2.0]	14	11.5	800 [377.6]	7507636
		RCF2417STAM	23800 [7.0]	17800 [5.2]	6000 [1.8]	14	11.5	800 [377.6]	7507655
		RCF2421MTAM	24000 [7.0]	17100 [5.0]	6900 [2.0]	14	11.5	800 [377.6]	7507696
RA1324AJ1	RGFG-07?MCK?	RCF2417HTAM	24200 [7.1]	17500 [5.1]	6700 [2.0]	14	11.5	850 [401.2]	7507619
		RCF2417MTAM	24200 [7.1]	17500 [5.1]	6700 [2.0]	14	11.5	850 [401.2]	7507637
		RCF2417STAM	24000 [7.0]	18000 [5.3]	6000 [1.8]	14	11.5	800 [377.6]	7507656
		RCF2421MTAM	24200 [7.1]	17500 [5.1]	6700 [2.0]	14	11.5	850 [401.2]	7507697
RA1324AJ1	RGFG-09?ZCM?	RCF2421MTAM	24000 [7.0]	17000 [5.0]	7000 [2.1]	14.5	12	775 [365.8]	7507698
RA1324AJ1	RGFG-10?ZCM?	RCF2421MTAM	23600 [6.9]	16500 [4.8]	7100 [2.1]	14.5	12	725 [342.2]	7507699
RA1330AJ1	RGFG-06?MCK?	RCF3617STAM	28000 [8.2]	20500 [6.0]	7500 [2.2]	14	11.5	800 [377.6]	7507853
		RCF3621MTAM	29600 [8.7]	21000 [6.2]	8600 [2.5]	14.5	12	800 [377.6]	7507873
		RCF3621STAM	28000 [8.2]	20500 [6.0]	7500 [2.2]	14	11.5	800 [377.6]	7507904
RA1330AJ1	RGFG-07?MCK?	RCF3617STAM	28200 [8.3]	20900 [6.1]	7300 [2.1]	14	11.5	850 [401.2]	7507854
		RCF3621MTAM	29800 [8.7]	21400 [6.3]	8400 [2.5]	14.5	12	850 [401.2]	7507874
		RCF3621STAM	28200 [8.3]	20900 [6.1]	7300 [2.1]	14	11.5	850 [401.2]	7507905
RA1330AJ1	RGFG-09?ZCM?	RCF3621MTAM	30400 [8.9]	22500 [6.6]	7900 [2.3]	14.5	12	1025 [483.7]	7507875
		RCF3621STAM	29000 [8.5]	22100 [6.5]	6900 [2.0]	14	11.5	975 [460.1]	7507906
		RCF3624HTAM	31200 [9.1]	22900 [6.7]	8300 [2.4]	15.1	12.5	975 [460.1]	7507931
		RCF3624MTAM	30400 [8.9]	22500 [6.6]	7900 [2.3]	14.5	12	1025 [483.7]	7507955
RA1330AJ1	RGFG-10?ZCM?	RCF3621MTAM	30600 [9.0]	22900 [6.7]	7700 [2.3]	14.5	12	1050 [495.5]	7507876
		RCF3621STAM	28800 [8.4]	22000 [6.4]	6800 [2.0]	14	11.5	1000 [471.9]	7507907
		RCF3624HTAM	31200 [9.1]	23200 [6.8]	8000 [2.3]	15.1	12.5	1050 [495.5]	7507932
		RCF3624MTAM	30600 [9.0]	22900 [6.7]	7700 [2.3]	14.5	12	1050 [495.5]	7507956
RA1330AJ1	RGFG-12?RCM?	RCF3624HTAM	31200 [9.1]	22900 [6.7]	8300 [2.4]	15.5	13	975 [460.1]	7507933
		RCF3624MTAM	30600 [9.0]	22600 [6.6]	8000 [2.3]	15	12.5	975 [460.1]	7507957
RA1336AC1	RGFG-06?MCK?	RCF3617STAM	34800 [10.2]	24500 [7.2]	10300 [3.0]	13	11.5	1000 [471.9]	7508198
		RCF3621MTAM	37000 [10.8]	25100 [7.4]	11900 [3.5]	14	11.5	1000 [471.9]	7508218
		RCF3621STAM	34800 [10.2]	24500 [7.2]	10300 [3.0]	13	11.5	1000 [471.9]	7508249
RA1336AC1	RGFG-07?MCK?	RCF3617STAM	34600 [10.1]	24300 [7.1]	10300 [3.0]	13	11	1000 [471.9]	7508199
		RCF3621MTAM	36800 [10.8]	24900 [7.3]	11900 [3.5]	14	11.5	1000 [471.9]	7508219
		RCF3621STAM	34800 [10.2]	24500 [7.2]	10300 [3.0]	13	11.5	1000 [471.9]	7508250
RA1336AC1	RGFG-09?ZCM?	RCF3621MTAM	37800 [11.1]	26900 [7.9]	10900 [3.2]	14	11.5	1200 [566.3]	7508220
		RCF3621STAM	34800 [10.2]	24700 [7.2]	10100 [3.0]	13.5	11.5	1025 [483.7]	7508251
		RCF3624HTAM	39000 [11.4]	28000 [8.2]	11000 [3.2]	14.5	12	1200 [566.3]	7508278
		RCF3624MTAM	37800 [11.1]	26900 [7.9]	10900 [3.2]	14	11.5	1200 [566.3]	7508305

[] Designates Metric Conversions

Performance Data @ AHRI Standard Conditions – Cooling (con't.)

RGFG Furnace Ratings									
Outdoor Unit	Furnace	Indoor Coil	Total Capacity BTU/H [kW]	Net Sensible BTU/H [kW]	Net Latent BTU/H [kW]	SEER	EER	Indoor CFM [L/s]	AHRI#
RA1336AC1	RGFG-10?ZCM?	RCF3621MTAM	37200 [10.9]	25300 [7.4]	11900 [3.5]	14.5	12	1000 [471.9]	7508221
		RCF3621STAM	35000 [10.3]	25000 [7.3]	10000 [2.9]	13.5	11.5	1050 [495.5]	7508252
		RCF3624HTAM	39000 [11.4]	28000 [8.2]	11000 [3.2]	14.5	12	1200 [566.3]	7508279
		RCF3624MTAM	37200 [10.9]	25300 [7.4]	11900 [3.5]	14.5	12	1000 [471.9]	7508306
RA1336AC1	RGFG-12?RCM?	RCF3624HTAM	38000 [11.1]	26200 [7.7]	11800 [3.5]	15.1	12.5	1025 [483.7]	7508280
		RCF3624MTAM	37200 [10.9]	25500 [7.5]	11700 [3.4]	14.5	12	1025 [483.7]	7508307
RA1336AJ1	RGFG-06?MCK?	RCF3617STAM	34800 [10.2]	24500 [7.2]	10300 [3.0]	13	11.5	1000 [471.9]	7508564
		RCF3621MTAM	37000 [10.8]	25100 [7.4]	11900 [3.5]	14	11.5	1000 [471.9]	7508584
		RCF3621STAM	34800 [10.2]	24500 [7.2]	10300 [3.0]	13	11.5	1000 [471.9]	7508615
RA1336AJ1	RGFG-07?MCK?	RCF3617STAM	34600 [10.1]	24300 [7.1]	10300 [3.0]	13	11	1000 [471.9]	7508565
		RCF3621MTAM	36800 [10.8]	24900 [7.3]	11900 [3.5]	14	11.5	1000 [471.9]	7508585
		RCF3621STAM	34800 [10.2]	24500 [7.2]	10300 [3.0]	13	11.5	1000 [471.9]	7508616
RA1336AJ1	RGFG-09?ZCM?	RCF3621MTAM	37800 [11.1]	26900 [7.9]	10900 [3.2]	14	11.5	1200 [566.3]	7508586
		RCF3621STAM	34800 [10.2]	24700 [7.2]	10100 [3.0]	13.5	11.5	1025 [483.7]	7508617
		RCF3624HTAM	39000 [11.4]	28000 [8.2]	11000 [3.2]	14.5	12	1200 [566.3]	7508644
		RCF3624MTAM	37800 [11.1]	26900 [7.9]	10900 [3.2]	14	11.5	1200 [566.3]	7508671
RA1336AJ1	RGFG-10?ZCM?	RCF3621MTAM	37200 [10.9]	25300 [7.4]	11900 [3.5]	14.5	12	1000 [471.9]	7508587
		RCF3621STAM	35000 [10.3]	25000 [7.3]	10000 [2.9]	13.5	11.5	1050 [495.5]	7508618
		RCF3624HTAM	39000 [11.4]	28000 [8.2]	11000 [3.2]	14.5	12	1200 [566.3]	7508645
		RCF3624MTAM	37200 [10.9]	25300 [7.4]	11900 [3.5]	14.5	12	1000 [471.9]	7508672
RA1336AJ1	RGFG-12?RCM?	RCF3624HTAM	38000 [11.1]	26200 [7.7]	11800 [3.5]	15.1	12.5	1025 [483.7]	7508646
		RCF3624MTAM	37200 [10.9]	25500 [7.5]	11700 [3.4]	14.5	12	1025 [483.7]	7508673
RA1342AC1	RGFG-09?ZCM?	RCF4821STAM	39500 [11.6]	28200 [8.3]	11300 [3.3]	13.5	11.5	1200 [566.3]	7511569
		RCF4824HTAM	41000 [12.0]	27800 [8.1]	13200 [3.9]	14	11.5	1200 [566.3]	7511597
		RCF4824STAM	39500 [11.6]	28200 [8.3]	11300 [3.3]	13.5	11.5	1200 [566.3]	7511625
RA1342AC1	RGFG-10?ZCM?	RCF4821STAM	39500 [11.6]	28200 [8.3]	11300 [3.3]	13.5	11.5	1200 [566.3]	7511570
		RCF4824HTAM	41000 [12.0]	27800 [8.1]	13200 [3.9]	14	11.5	1200 [566.3]	7511598
		RCF4824STAM	39500 [11.6]	28200 [8.3]	11300 [3.3]	13.5	11.5	1200 [566.3]	7511626
RA1342AC1	RGFG-12?RCM?	RCF4824HTAM	41500 [12.2]	28600 [8.4]	12900 [3.8]	14	11.5	1250 [589.9]	7511599
		RCF4824STAM	40000 [11.7]	29000 [8.5]	11000 [3.2]	13.5	11.5	1250 [589.9]	7511627
RA1342AJ1	RGFG-09?ZCM?	RCF4821STAM	39500 [11.6]	28200 [8.3]	11300 [3.3]	13.5	11.5	1200 [566.3]	7511803
		RCF4824HTAM	41000 [12.0]	27800 [8.1]	13200 [3.9]	14	11.5	1200 [566.3]	7511831
		RCF4824STAM	39500 [11.6]	28200 [8.3]	11300 [3.3]	13.5	11.5	1200 [566.3]	7511859
RA1342AJ1	RGFG-10?ZCM?	RCF4821STAM	39500 [11.6]	28200 [8.3]	11300 [3.3]	13.5	11.5	1200 [566.3]	7511804
		RCF4824HTAM	41000 [12.0]	27800 [8.1]	13200 [3.9]	14	11.5	1200 [566.3]	7511832
		RCF4824STAM	39500 [11.6]	28200 [8.3]	11300 [3.3]	13.5	11.5	1200 [566.3]	7511860
RA1342AJ1	RGFG-12?RCM?	RCF4824HTAM	41500 [12.2]	28600 [8.4]	12900 [3.8]	14	11.5	1250 [589.9]	7511833
		RCF4824STAM	40000 [11.7]	29000 [8.5]	11000 [3.2]	13.5	11.5	1250 [589.9]	7511861
RA1348AC1	RGFG-09?ZCM?	RCF4821STAM	46500 [13.6]	31700 [9.3]	14800 [4.3]	13	11	1275 [601.7]	7508930
		RCF4824HTAM	49000 [14.4]	33000 [9.7]	16000 [4.7]	13	11.5	1400 [660.7]	7508947
		RCF4824STAM	46500 [13.6]	31700 [9.3]	14800 [4.3]	13	11	1275 [601.7]	7508988
RA1348AC1	RGFG-10?ZCM?	RCF4824HTAM	49000 [14.4]	33000 [9.7]	16000 [4.7]	13	11.5	1400 [660.7]	7508948
RA1348AC1	RGFG-12?RCM?	RCF4824HTAM	49500 [14.5]	33800 [9.9]	15700 [4.6]	13.5	11.5	1450 [684.3]	7508949
		RCF4824STAM	46500 [13.6]	31600 [9.3]	14900 [4.4]	13	11.5	1250 [589.9]	7508991
RA1348AJ1	RGFG-09?ZCM?	RCF4821STAM	46500 [13.6]	31700 [9.3]	14800 [4.3]	13	11	1275 [601.7]	7509155
		RCF4824HTAM	49000 [14.4]	33000 [9.7]	16000 [4.7]	13	11.5	1400 [660.7]	7509172
		RCF4824STAM	46500 [13.6]	31700 [9.3]	14800 [4.3]	13	11	1275 [601.7]	7509197

[] Designates Metric Conversions

Performance Data @ AHRI Standard Conditions – Cooling (con't.)

RGFG Furnace Ratings									
Outdoor Unit	Furnace	Indoor Coil	Total Capacity BTU/H [kW]	Net Sensible BTU/H [kW]	Net Latent BTU/H [kW]	SEER	EER	Indoor CFM [L/s]	AHRI#
RA1348AJ1	RGFG-10?ZCM?	RCF4824HTAM	49000 [14.4]	33000 [9.7]	16000 [4.7]	13	11.5	1400 [660.7]	7509173
RA1348AJ1	RGFG-12?RCM?	RCF4824HTAM	49500 [14.5]	33800 [9.9]	15700 [4.6]	13.5	11.5	1450 [684.3]	7509174
		RCF4824STAM	46500 [13.6]	31600 [9.3]	14900 [4.4]	13	11.5	1250 [589.9]	7509198
RA1360AC1	RGFG-09?ZCM?	RCF6024HTAM	55000 [16.1]	37200 [10.9]	17800 [5.2]	13	11	1400 [660.7]	7509299
		RCF6024STAM	55000 [16.1]	37200 [10.9]	17800 [5.2]	13	11	1400 [660.7]	7509323
RA1360AC1	RGFG-10?ZCM?	RCF6024HTAM	55000 [16.1]	37200 [10.9]	17800 [5.2]	13	11	1400 [660.7]	7509300
		RCF6024STAM	55000 [16.1]	37200 [10.9]	17800 [5.2]	13	11	1400 [660.7]	7509324
RA1360AC1	RGFG-12?RCM?	RCF6024HTAM	55500 [16.3]	38000 [11.1]	17500 [5.1]	13	11	1450 [684.3]	7509301
		RCF6024STAM	55500 [16.3]	38000 [11.1]	17500 [5.1]	13	11	1450 [684.3]	7509325
RA1360AJ1	RGFG-09?ZCM?	RCF6024HTAM	55000 [16.1]	37200 [10.9]	17800 [5.2]	13	11	1400 [660.7]	7509421
		RCF6024STAM	55000 [16.1]	37200 [10.9]	17800 [5.2]	13	11	1400 [660.7]	7509445
RA1360AJ1	RGFG-10?ZCM?	RCF6024HTAM	55000 [16.1]	37200 [10.9]	17800 [5.2]	13	11	1400 [660.7]	7509422
		RCF6024STAM	55000 [16.1]	37200 [10.9]	17800 [5.2]	13	11	1400 [660.7]	7509446
RA1360AJ1	RGFG-12?RCM?	RCF6024HTAM	55500 [16.3]	38000 [11.1]	17500 [5.1]	13	11	1450 [684.3]	7509423
		RCF6024STAM	55500 [16.3]	38000 [11.1]	17500 [5.1]	13	11	1450 [684.3]	7509447

RGGE Furnace Ratings									
Outdoor Unit	Furnace	Indoor Coil	Total Capacity BTU/H [kW]	Net Sensible BTU/H [kW]	Net Latent BTU/H [kW]	SEER	EER	Indoor CFM [L/s]	AHRI#
RA1330AJ1	RGGE-09?ZCM?	RCF3624HTAM	31200 [9.1]	23000 [6.7]	8200 [2.4]	15.5	13	1000 [471.9]	7507934
RA1330AJ1	RGGE-10?ZCM?	RCF3624HTAM	31400 [9.2]	23400 [6.9]	8000 [2.3]	15.1	12.5	1050 [495.5]	7507935
RA1330AJ1	RGGE-12?RCM?	RCF3624HTAM	31400 [9.2]	23400 [6.9]	8000 [2.3]	15.5	13	1050 [495.5]	7507936
RA1336AC1	RGGE-09?ZCM?	RCF3624HTAM	38000 [11.1]	26200 [7.7]	11800 [3.5]	15	12.5	1025 [483.7]	7508281
RA1336AC1	RGGE-10?ZCM?	RCF3624HTAM	39000 [11.4]	28400 [8.3]	10600 [3.1]	14.5	12	1275 [601.7]	7508282
RA1336AC1	RGGE-12?RCM?	RCF3624HTAM	39000 [11.4]	28000 [8.2]	11000 [3.2]	15.1	12.5	1200 [566.3]	7508283
RA1336AJ1	RGGE-09?ZCM?	RCF3624HTAM	38000 [11.1]	26200 [7.7]	11800 [3.5]	15	12.5	1025 [483.7]	7508647
RA1336AJ1	RGGE-10?ZCM?	RCF3624HTAM	39000 [11.4]	28400 [8.3]	10600 [3.1]	14.5	12	1275 [601.7]	7508648
RA1336AJ1	RGGE-12?RCM?	RCF3624HTAM	39000 [11.4]	28000 [8.2]	11000 [3.2]	15.1	12.5	1200 [566.3]	7508649
RA1342AC1	RGGE-09?ZCM?	RCF4824HTAM	41500 [12.2]	28600 [8.4]	12900 [3.8]	14	11.5	1250 [589.9]	7511600
RA1342AC1	RGGE-10?ZCM?	RCF4824HTAM	41500 [12.2]	28300 [8.3]	13200 [3.9]	14	11.5	1200 [566.3]	7511601
RA1342AC1	RGGE-12?RCM?	RCF4824HTAM	42000 [12.3]	29700 [8.7]	12300 [3.6]	14	11.5	1375 [648.9]	7511602
RA1342AJ1	RGGE-09?ZCM?	RCF4824HTAM	41500 [12.2]	28600 [8.4]	12900 [3.8]	14	11.5	1250 [589.9]	7511834
RA1342AJ1	RGGE-10?ZCM?	RCF4824HTAM	41500 [12.2]	28300 [8.3]	13200 [3.9]	14	11.5	1200 [566.3]	7511835
RA1342AJ1	RGGE-12?RCM?	RCF4824HTAM	42000 [12.3]	29700 [8.7]	12300 [3.6]	14	11.5	1375 [648.9]	7511836
RA1348AC1	RGGE-09?ZCM?	RCF4824HTAM	49500 [14.5]	33500 [9.8]	16000 [4.7]	13	11.5	1400 [660.7]	7508950
RA1348AC1	RGGE-10?ZCM?	RCF4824HTAM	49500 [14.5]	33500 [9.8]	16000 [4.7]	13	11.5	1400 [660.7]	7508951
RA1348AC1	RGGE-12?RCM?	RCF4824HTAM	49500 [14.5]	33300 [9.8]	16200 [4.7]	13.5	11.5	1375 [648.9]	7508952
RA1348AJ1	RGGE-09?ZCM?	RCF4824HTAM	49500 [14.5]	33500 [9.8]	16000 [4.7]	13	11.5	1400 [660.7]	7509175
RA1348AJ1	RGGE-10?ZCM?	RCF4824HTAM	49500 [14.5]	33500 [9.8]	16000 [4.7]	13	11.5	1400 [660.7]	7509176
RA1348AJ1	RGGE-12?RCM?	RCF4824HTAM	49500 [14.5]	33300 [9.8]	16200 [4.7]	13.5	11.5	1375 [648.9]	7509177
RA1360AC1	RGGE-09?ZCM?	RCF6024HTAM	55500 [16.3]	37700 [11.0]	17800 [5.2]	13	11	1400 [660.7]	7509302
RA1360AC1	RGGE-10?ZCM?	RCF6024HTAM	55000 [16.1]	37200 [10.9]	17800 [5.2]	13	11	1400 [660.7]	7509303
RA1360AC1	RGGE-12?RCM?	RCF6024HTAM	56500 [16.6]	40000 [11.7]	16500 [4.8]	13	11	1575 [743.3]	7509304
RA1360AJ1	RGGE-09?ZCM?	RCF6024HTAM	55500 [16.3]	37700 [11.0]	17800 [5.2]	13	11	1400 [660.7]	7509424
RA1360AJ1	RGGE-10?ZCM?	RCF6024HTAM	55000 [16.1]	37200 [10.9]	17800 [5.2]	13	11	1400 [660.7]	7509425
RA1360AJ1	RGGE-12?RCM?	RCF6024HTAM	56500 [16.6]	40000 [11.7]	16500 [4.8]	13	11	1575 [743.3]	7509426

[] Designates Metric Conversions

Performance Data @ AHRI Standard Conditions – Cooling (con't.)

RGJF Furnace Ratings									
Outdoor Unit	Furnace	Indoor Coil	Total Capacity BTU/H [kW]	Net Sensible BTU/H [kW]	Net Latent BTU/H [kW]	SEER	EER	Indoor CFM [L/s]	AHRI#
RA1318AJ1	RGJF-06?MCK?	RCF2417HTAM	18000 [5.3]	12800 [3.8]	5200 [1.5]	14.5	12	625 [295.0]	7507414
		RCF2417MTAM	18000 [5.3]	12800 [3.8]	5200 [1.5]	14.5	12	625 [295.0]	7507429
		RCF2417STAM	18000 [5.3]	13500 [4.0]	4500 [1.3]	14.5	12	625 [295.0]	7507445
		RCF2421MTAM	18000 [5.3]	12800 [3.8]	5200 [1.5]	14.5	12	625 [295.0]	7507479
RA1318AJ1	RGJF-07?MCK?	RCF2417HTAM	18000 [5.3]	12800 [3.8]	5200 [1.5]	14.5	12	575 [271.4]	7507415
		RCF2417MTAM	18000 [5.3]	12800 [3.8]	5200 [1.5]	14.5	12	575 [271.4]	7507430
		RCF2417STAM	17900 [5.2]	13400 [3.9]	4500 [1.3]	14.5	12	575 [271.4]	7507446
		RCF2421MTAM	18000 [5.3]	12800 [3.8]	5200 [1.5]	14.5	12	575 [271.4]	7507480
RA1318AJ1	RGJF-09?ZCM?	RCF2421MTAM	18400 [5.4]	13300 [3.9]	5100 [1.5]	14.5	12	675 [318.6]	7507481
RA1318AJ1	RGJF-10?ZCM?	RCF2421MTAM	18400 [5.4]	13300 [3.9]	5100 [1.5]	14.5	12	675 [318.6]	7507482
RA1324AJ1	RGJF-06?MCK?	RCF2417HTAM	23200 [6.8]	15900 [4.7]	7300 [2.1]	14.5	12	625 [295.0]	7507620
		RCF2417MTAM	24000 [7.0]	17100 [5.0]	6900 [2.0]	14	11.5	825 [389.4]	7507638
		RCF2417STAM	24000 [7.0]	18100 [5.3]	5900 [1.7]	14	11.5	825 [389.4]	7507657
		RCF2421MTAM	24000 [7.0]	17100 [5.0]	6900 [2.0]	14	11.5	825 [389.4]	7507700
RA1324AJ1	RGJF-07?MCK?	RCF2417HTAM	24200 [7.1]	17500 [5.1]	6700 [2.0]	14	11.5	875 [413.0]	7507621
		RCF2417MTAM	24000 [7.0]	17100 [5.0]	6900 [2.0]	14	11.5	800 [377.6]	7507639
		RCF2417STAM	24000 [7.0]	18000 [5.3]	6000 [1.8]	14	11.5	800 [377.6]	7507658
		RCF2421MTAM	24000 [7.0]	17100 [5.0]	6900 [2.0]	14	11.5	800 [377.6]	7507701
RA1324AJ1	RGJF-09?ZCM?	RCF2421MTAM	24000 [7.0]	17000 [5.0]	7000 [2.1]	14.5	12	775 [365.8]	7507702
RA1324AJ1	RGJF-10?ZCM?	RCF2421MTAM	24000 [7.0]	17000 [5.0]	7000 [2.1]	14.5	12	775 [365.8]	7507703
RA1330AJ1	RGJF-06?MCK?	RCF3617STAM	28600 [8.4]	21600 [6.3]	7000 [2.1]	14	11.5	925 [436.6]	7507855
		RCF3621MTAM	30000 [8.8]	21800 [6.4]	8200 [2.4]	14.5	12	925 [436.6]	7507877
		RCF3621STAM	28600 [8.4]	21600 [6.3]	7000 [2.1]	14	11.5	925 [436.6]	7507908
RA1330AJ1	RGJF-07?MCK?	RCF3617STAM	28000 [8.2]	20500 [6.0]	7500 [2.2]	14	11.5	800 [377.6]	7507856
		RCF3621MTAM	29800 [8.7]	21400 [6.3]	8400 [2.5]	14.5	12	875 [413.0]	7507878
		RCF3621STAM	28000 [8.2]	20500 [6.0]	7500 [2.2]	14	11.5	800 [377.6]	7507909
RA1330AJ1	RGJF-09?ZCM?	RCF3621MTAM	30600 [9.0]	22700 [6.7]	7900 [2.3]	14.5	12	1000 [471.9]	7507879
		RCF3621STAM	29000 [8.5]	22300 [6.5]	6700 [2.0]	14	11.5	1025 [483.7]	7507910
		RCF3624HTAM	31200 [9.1]	23000 [6.7]	8200 [2.4]	15.5	13	1000 [471.9]	7507937
		RCF3624MTAM	30600 [9.0]	22700 [6.7]	7900 [2.3]	14.5	12	1000 [471.9]	7507958
RA1330AJ1	RGJF-10?ZCM?	RCF3621MTAM	30600 [9.0]	22900 [6.7]	7700 [2.3]	14.5	12	1050 [495.5]	7507880
		RCF3621STAM	29000 [8.5]	22200 [6.5]	6800 [2.0]	14	11.5	1000 [471.9]	7507911
		RCF3624HTAM	31400 [9.2]	23400 [6.9]	8000 [2.3]	15.1	12.5	1050 [495.5]	7507938
		RCF3624MTAM	30600 [9.0]	22900 [6.7]	7700 [2.3]	14.5	12	1050 [495.5]	7507959
RA1330AJ1	RGJF-12?RCM?	RCF3624HTAM	31400 [9.2]	23400 [6.9]	8000 [2.3]	15.5	13	1050 [495.5]	7507939
		RCF3624MTAM	30600 [9.0]	22700 [6.7]	7900 [2.3]	15	12.5	1000 [471.9]	7507960
RA1336AC1	RGJF-06?MCK?	RCF3617STAM	34800 [10.2]	24700 [7.2]	10100 [3.0]	13.5	11.5	1025 [483.7]	7508200
		RCF3621MTAM	37000 [10.8]	25300 [7.4]	11700 [3.4]	14	11.5	1025 [483.7]	7508222
		RCF3621STAM	34800 [10.2]	24700 [7.2]	10100 [3.0]	13.5	11.5	1025 [483.7]	7508253
RA1336AC1	RGJF-07?MCK?	RCF3617STAM	34800 [10.2]	24700 [7.2]	10100 [3.0]	13	11.5	1025 [483.7]	7508201
		RCF3621MTAM	37000 [10.8]	25300 [7.4]	11700 [3.4]	14	11.5	1025 [483.7]	7508223
		RCF3621STAM	34800 [10.2]	24700 [7.2]	10100 [3.0]	13.5	11.5	1025 [483.7]	7508254
RA1336AC1	RGJF-09?ZCM?	RCF3621MTAM	37200 [10.9]	25300 [7.4]	11900 [3.5]	14.5	12	1000 [471.9]	7508224
		RCF3621STAM	35000 [10.3]	24900 [7.3]	10100 [3.0]	13.5	11.5	1025 [483.7]	7508255
		RCF3624HTAM	38000 [11.1]	26200 [7.7]	11800 [3.5]	15	12.5	1025 [483.7]	7508284
		RCF3624MTAM	37200 [10.9]	25300 [7.4]	11900 [3.5]	14.5	12	1000 [471.9]	7508308

[] Designates Metric Conversions

Performance Data @ AHRI Standard Conditions – Cooling (con't.)

RGJF Furnace Ratings									
Outdoor Unit	Furnace	Indoor Coil	Total Capacity BTU/H [kW]	Net Sensible BTU/H [kW]	Net Latent BTU/H [kW]	SEER	EER	Indoor CFM [L/s]	AHRI#
RA1336AC1	RGJF-10?ZCM?	RCF3621MTAM	37200 [10.9]	25300 [7.4]	11900 [3.5]	14.5	12	1000 [471.9]	7508225
		RCF3621STAM	35000 [10.3]	25000 [7.3]	10000 [2.9]	13.5	11.5	1050 [495.5]	7508256
		RCF3624HTAM	39000 [11.4]	28400 [8.3]	10600 [3.1]	14.5	12	1275 [601.7]	7508285
		RCF3624MTAM	37200 [10.9]	25300 [7.4]	11900 [3.5]	14.5	12	1000 [471.9]	7508309
RA1336AC1	RGJF-12?RCM?	RCF3624HTAM	39000 [11.4]	28000 [8.2]	11000 [3.2]	15.1	12.5	1200 [566.3]	7508286
		RCF3624MTAM	38000 [11.1]	27100 [7.9]	10900 [3.2]	14.5	12	1200 [566.3]	7508310
RA1336AJ1	RGJF-06?MCK?	RCF3617STAM	34800 [10.2]	24700 [7.2]	10100 [3.0]	13.5	11.5	1025 [483.7]	7508566
		RCF3621MTAM	37000 [10.8]	25300 [7.4]	11700 [3.4]	14	11.5	1025 [483.7]	7508588
		RCF3621STAM	34800 [10.2]	24700 [7.2]	10100 [3.0]	13.5	11.5	1025 [483.7]	7508619
RA1336AJ1	RGJF-07?MCK?	RCF3617STAM	34800 [10.2]	24700 [7.2]	10100 [3.0]	13	11.5	1025 [483.7]	7508567
		RCF3621MTAM	37000 [10.8]	25300 [7.4]	11700 [3.4]	14	11.5	1025 [483.7]	7508589
		RCF3621STAM	34800 [10.2]	24700 [7.2]	10100 [3.0]	13.5	11.5	1025 [483.7]	7508620
RA1336AJ1	RGJF-09?ZCM?	RCF3621MTAM	37200 [10.9]	25300 [7.4]	11900 [3.5]	14.5	12	1000 [471.9]	7508590
		RCF3621STAM	35000 [10.3]	24900 [7.3]	10100 [3.0]	13.5	11.5	1025 [483.7]	7508621
		RCF3624HTAM	38000 [11.1]	26200 [7.7]	11800 [3.5]	15	12.5	1025 [483.7]	7508650
		RCF3624MTAM	37200 [10.9]	25300 [7.4]	11900 [3.5]	14.5	12	1000 [471.9]	7508674
RA1336AJ1	RGJF-10?ZCM?	RCF3621MTAM	37200 [10.9]	25300 [7.4]	11900 [3.5]	14.5	12	1000 [471.9]	7508591
		RCF3621STAM	35000 [10.3]	25000 [7.3]	10000 [2.9]	13.5	11.5	1050 [495.5]	7508622
		RCF3624HTAM	39000 [11.4]	28400 [8.3]	10600 [3.1]	14.5	12	1275 [601.7]	7508651
		RCF3624MTAM	37200 [10.9]	25300 [7.4]	11900 [3.5]	14.5	12	1000 [471.9]	7508675
RA1336AJ1	RGJF-12?RCM?	RCF3624HTAM	39000 [11.4]	28000 [8.2]	11000 [3.2]	15.1	12.5	1200 [566.3]	7508652
		RCF3624MTAM	38000 [11.1]	27100 [7.9]	10900 [3.2]	14.5	12	1200 [566.3]	7508676
RA1342AC1	RGJF-06?MCK?	RCF4821STAM	39500 [11.6]	28200 [8.3]	11300 [3.3]	13	11.5	1200 [566.3]	7511571
RA1342AC1	RGJF-07?MCK?	RCF4821STAM	39500 [11.6]	28200 [8.3]	11300 [3.3]	13	11	1200 [566.3]	7511572
RA1342AC1	RGJF-09?ZCM?	RCF4821STAM	40000 [11.7]	29000 [8.5]	11000 [3.2]	13.5	11.5	1250 [589.9]	7511573
		RCF4824HTAM	41500 [12.2]	28600 [8.4]	12900 [3.8]	14	11.5	1250 [589.9]	7511603
		RCF4824STAM	40000 [11.7]	29000 [8.5]	11000 [3.2]	13.5	11.5	1250 [589.9]	7511628
RA1342AC1	RGJF-10?ZCM?	RCF4821STAM	39500 [11.6]	28200 [8.3]	11300 [3.3]	13.5	11.5	1200 [566.3]	7511574
		RCF4824HTAM	41500 [12.2]	28300 [8.3]	13200 [3.9]	14	11.5	1200 [566.3]	7511604
		RCF4824STAM	39500 [11.6]	28200 [8.3]	11300 [3.3]	13.5	11.5	1200 [566.3]	7511629
RA1342AC1	RGJF-12?RCM?	RCF4824HTAM	42000 [12.3]	29700 [8.7]	12300 [3.6]	14	11.5	1375 [648.9]	7511605
		RCF4824STAM	40500 [11.9]	30100 [8.8]	10400 [3.0]	13.5	11.5	1375 [648.9]	7511630
RA1342AJ1	RGJF-06?MCK?	RCF4821STAM	39500 [11.6]	28200 [8.3]	11300 [3.3]	13	11.5	1200 [566.3]	7511805
RA1342AJ1	RGJF-07?MCK?	RCF4821STAM	39500 [11.6]	28200 [8.3]	11300 [3.3]	13	11	1200 [566.3]	7511806
RA1342AJ1	RGJF-09?ZCM?	RCF4821STAM	40000 [11.7]	29000 [8.5]	11000 [3.2]	13.5	11.5	1250 [589.9]	7511807
		RCF4824HTAM	41500 [12.2]	28600 [8.4]	12900 [3.8]	14	11.5	1250 [589.9]	7511837
		RCF4824STAM	40000 [11.7]	29000 [8.5]	11000 [3.2]	13.5	11.5	1250 [589.9]	7511862
RA1342AJ1	RGJF-10?ZCM?	RCF4821STAM	39500 [11.6]	28200 [8.3]	11300 [3.3]	13.5	11.5	1200 [566.3]	7511808
		RCF4824HTAM	41500 [12.2]	28300 [8.3]	13200 [3.9]	14	11.5	1200 [566.3]	7511838
		RCF4824STAM	39500 [11.6]	28200 [8.3]	11300 [3.3]	13.5	11.5	1200 [566.3]	7511863
RA1342AJ1	RGJF-12?RCM?	RCF4824HTAM	42000 [12.3]	29700 [8.7]	12300 [3.6]	14	11.5	1375 [648.9]	7511839
		RCF4824STAM	40500 [11.9]	30100 [8.8]	10400 [3.0]	13.5	11.5	1375 [648.9]	7511864
RA1348AC1	RGJF-09?ZCM?	RCF4821STAM	46500 [13.6]	31600 [9.3]	14900 [4.4]	13	11.5	1250 [589.9]	7508931
		RCF4824HTAM	49500 [14.5]	33500 [9.8]	16000 [4.7]	13	11.5	1400 [660.7]	7508953
		RCF4824STAM	46500 [13.6]	31600 [9.3]	14900 [4.4]	13	11.5	1250 [589.9]	7508993
RA1348AC1	RGJF-10?ZCM?	RCF4821STAM	46500 [13.6]	31700 [9.3]	14800 [4.3]	13	11	1275 [601.7]	7508932
		RCF4824HTAM	49500 [14.5]	33500 [9.8]	16000 [4.7]	13	11.5	1400 [660.7]	7508954
		RCF4824STAM	46500 [13.6]	31700 [9.3]	14800 [4.3]	13	11	1275 [601.7]	7508995

[] Designates Metric Conversions

Performance Data @ AHRI Standard Conditions – Cooling (con't.)

RGJF Furnace Ratings									
Outdoor Unit	Furnace	Indoor Coil	Total Capacity BTU/H [kW]	Net Sensible BTU/H [kW]	Net Latent BTU/H [kW]	SEER	EER	Indoor CFM [L/s]	AHRI#
RA1348AC1	RGJF-12?RCM?	RCF4824HTAM	49500 [14.5]	33300 [9.8]	16200 [4.7]	13.5	11.5	1375 [648.9]	7508955
		RCF4824STAM	47000 [13.8]	32800 [9.6]	14200 [4.2]	13	11.5	1375 [648.9]	7508998
RA1348AJ1	RGJF-09?ZCM?	RCF4821STAM	46500 [13.6]	31600 [9.3]	14900 [4.4]	13	11.5	1250 [589.9]	7509156
		RCF4824HTAM	49500 [14.5]	33500 [9.8]	16000 [4.7]	13	11.5	1400 [660.7]	7509178
		RCF4824STAM	46500 [13.6]	31600 [9.3]	14900 [4.4]	13	11.5	1250 [589.9]	7509199
RA1348AJ1	RGJF-10?ZCM?	RCF4821STAM	46500 [13.6]	31700 [9.3]	14800 [4.3]	13	11	1275 [601.7]	7509157
		RCF4824HTAM	49500 [14.5]	33500 [9.8]	16000 [4.7]	13	11.5	1400 [660.7]	7509179
		RCF4824STAM	46500 [13.6]	31700 [9.3]	14800 [4.3]	13	11	1275 [601.7]	7509200
RA1348AJ1	RGJF-12?RCM?	RCF4824HTAM	49500 [14.5]	33300 [9.8]	16200 [4.7]	13.5	11.5	1375 [648.9]	7509180
		RCF4824STAM	47000 [13.8]	32800 [9.6]	14200 [4.2]	13	11.5	1375 [648.9]	7509201
RA1360AC1	RGJF-09?ZCM?	RCF6024HTAM	55500 [16.3]	37700 [11.0]	17800 [5.2]	13	11	1400 [660.7]	7509305
		RCF6024STAM	55500 [16.3]	37700 [11.0]	17800 [5.2]	13	11	1400 [660.7]	7509326
RA1360AC1	RGJF-10?ZCM?	RCF6024HTAM	55000 [16.1]	37200 [10.9]	17800 [5.2]	13	11	1400 [660.7]	7509306
		RCF6024STAM	55000 [16.1]	37200 [10.9]	17800 [5.2]	13	11	1400 [660.7]	7509327
RA1360AC1	RGJF-12?RCM?	RCF6024HTAM	56500 [16.6]	40000 [11.7]	16500 [4.8]	13	11	1575 [743.3]	7509307
		RCF6024STAM	56500 [16.6]	40000 [11.7]	16500 [4.8]	13	11	1575 [743.3]	7509328
RA1360AJ1	RGJF-09?ZCM?	RCF6024HTAM	55500 [16.3]	37700 [11.0]	17800 [5.2]	13	11	1400 [660.7]	7509427
		RCF6024STAM	55500 [16.3]	37700 [11.0]	17800 [5.2]	13	11	1400 [660.7]	7509448
RA1360AJ1	RGJF-10?ZCM?	RCF6024HTAM	55000 [16.1]	37200 [10.9]	17800 [5.2]	13	11	1400 [660.7]	7509428
		RCF6024STAM	55000 [16.1]	37200 [10.9]	17800 [5.2]	13	11	1400 [660.7]	7509449
RA1360AJ1	RGJF-12?RCM?	RCF6024HTAM	56500 [16.6]	40000 [11.7]	16500 [4.8]	13	11	1575 [743.3]	7509429
		RCF6024STAM	56500 [16.6]	40000 [11.7]	16500 [4.8]	13	11	1575 [743.3]	7509450

RGLE Furnace Ratings									
Outdoor Unit	Furnace	Indoor Coil	Total Capacity BTU/H [kW]	Net Sensible BTU/H [kW]	Net Latent BTU/H [kW]	SEER	EER	Indoor CFM [L/s]	AHRI#
RA1330AJ1	RGLE-12?ARM?	RCF3624HTAM	31600 [9.3]	23700 [6.9]	7900 [2.3]	15.5	13	1075 [507.3]	7507940
RA1336AC1	RGLE-12?ARM?	RCF3624HTAM	39500 [11.6]	28600 [8.4]	10900 [3.2]	15.1	12.5	1225 [578.1]	7508287
RA1336AJ1	RGLE-12?ARM?	RCF3624HTAM	39500 [11.6]	28600 [8.4]	10900 [3.2]	15.1	12.5	1225 [578.1]	7508653
RA1342AC1	RGLE-12?ARM?	RCF4824HTAM	41500 [12.2]	28400 [8.3]	13100 [3.8]	14.5	12	1225 [578.1]	7511606
RA1342AJ1	RGLE-12?ARM?	RCF4824HTAM	41500 [12.2]	28400 [8.3]	13100 [3.8]	14.5	12	1225 [578.1]	7511840
RA1348AC1	RGLE-12?ARM?	RCF4824HTAM	50500 [14.8]	35900 [10.5]	14600 [4.3]	13.5	11.5	1600 [755.1]	7508956
RA1348AJ1	RGLE-12?ARM?	RCF4824HTAM	50500 [14.8]	35900 [10.5]	14600 [4.3]	13.5	11.5	1600 [755.1]	7509181
RA1360AC1	RGLE-12?ARM?	RCF6024HTAM	56000 [16.4]	39100 [11.5]	16900 [5.0]	13.5	11.5	1525 [719.7]	7509308
RA1360AJ1	RGLE-12?ARM?	RCF6024HTAM	56000 [16.4]	39100 [11.5]	16900 [5.0]	13.5	11.5	1525 [719.7]	7509430

[] Designates Metric Conversions

Performance Data @ AHRI Standard Conditions – Cooling (con't.)

RGPE Furnace Ratings									
Outdoor Unit	Furnace	Indoor Coil	Total Capacity BTU/H [kW]	Net Sensible BTU/H [kW]	Net Latent BTU/H [kW]	SEER	EER	Indoor CFM [L/s]	AHRI#
RA1318AJ1	RGPE-05?BMK?	RCF2417HTAM	18000 [5.3]	12800 [3.8]	5200 [1.5]	14.5	12	575 [271.4]	7507416
		RCF2417MTAM	18000 [5.3]	12800 [3.8]	5200 [1.5]	14.5	12	575 [271.4]	7507431
		RCF2417STAM	17900 [5.2]	13400 [3.9]	4500 [1.3]	14.5	12	575 [271.4]	7507447
		RCF2421MTAM	18000 [5.3]	12800 [3.8]	5200 [1.5]	14.5	12	575 [271.4]	7507483
RA1318AJ1	RGPE-07?AMK?	RCF2417HTAM	18100 [5.3]	12900 [3.8]	5200 [1.5]	14.5	12	625 [295.0]	7507417
		RCF2417MTAM	18000 [5.3]	12800 [3.8]	5200 [1.5]	14.5	12	625 [295.0]	7507432
		RCF2417STAM	18000 [5.3]	13500 [4.0]	4500 [1.3]	14.5	12	625 [295.0]	7507448
		RCF2421MTAM	18000 [5.3]	12800 [3.8]	5200 [1.5]	14.5	12	625 [295.0]	7507484
RA1324AJ1	RGPE-05?BMK?	RCF2417HTAM	24400 [7.2]	17800 [5.2]	6600 [1.9]	14	11.5	900 [424.8]	7507622
		RCF2417MTAM	24400 [7.2]	17800 [5.2]	6600 [1.9]	14	11.5	900 [424.8]	7507640
		RCF2417STAM	24000 [7.0]	18000 [5.3]	6000 [1.8]	14	11.5	800 [377.6]	7507659
		RCF2421MTAM	24400 [7.2]	17800 [5.2]	6600 [1.9]	14	11.5	900 [424.8]	7507704
RA1324AJ1	RGPE-07?AMK?	RCF2417HTAM	24000 [7.0]	17100 [5.0]	6900 [2.0]	14.5	12	825 [389.4]	7507623
		RCF2417MTAM	23200 [6.8]	15900 [4.7]	7300 [2.1]	14.5	12	625 [295.0]	7507641
		RCF2417STAM	24400 [7.2]	18700 [5.5]	5700 [1.7]	14	11.5	900 [424.8]	7507660
		RCF2421MTAM	23200 [6.8]	15900 [4.7]	7300 [2.1]	14.5	12	625 [295.0]	7507705
RA1324AJ1	RGPE-07?BRQ?	RCF2421MTAM	24400 [7.2]	17800 [5.2]	6600 [1.9]	14.5	12	900 [424.8]	7507706
RA1324AJ1	RGPE-10?BRM?	RCF2421MTAM	24600 [7.2]	18000 [5.3]	6600 [1.9]	14.5	12	900 [424.8]	7507707
RA1330AJ1	RGPE-05?BMK?	RCF3617STAM	28400 [8.3]	21300 [6.2]	7100 [2.1]	14	11.5	900 [424.8]	7507857
		RCF3621MTAM	30400 [8.9]	22400 [6.6]	8000 [2.3]	14.5	12	975 [460.1]	7507881
		RCF3621STAM	28400 [8.3]	21300 [6.2]	7100 [2.1]	14	11.5	900 [424.8]	7507912
RA1330AJ1	RGPE-07?AMK?	RCF3617STAM	28400 [8.3]	21300 [6.2]	7100 [2.1]	14	11.5	900 [424.8]	7507858
		RCF3621MTAM	30400 [8.9]	22500 [6.6]	7900 [2.3]	14.5	12	1000 [471.9]	7507882
		RCF3621STAM	28600 [8.4]	21500 [6.3]	7100 [2.1]	14	11.5	900 [424.8]	7507913
RA1330AJ1	RGPE-07?BRQ?	RCF3621MTAM	30200 [8.9]	21900 [6.4]	8300 [2.4]	15	12.5	900 [424.8]	7507883
		RCF3621STAM	28600 [8.4]	21500 [6.3]	7100 [2.1]	14.5	12	900 [424.8]	7507914
		RCF3624HTAM	31400 [9.2]	23400 [6.9]	8000 [2.3]	15.5	13	1050 [495.5]	7507941
		RCF3624MTAM	30200 [8.9]	21900 [6.4]	8300 [2.4]	15	12.5	900 [424.8]	7507961
RA1330AJ1	RGPE-10?BRM?	RCF3621MTAM	30200 [8.9]	21900 [6.4]	8300 [2.4]	15.1	12.5	900 [424.8]	7507884
		RCF3621STAM	28600 [8.4]	21500 [6.3]	7100 [2.1]	14.5	12	900 [424.8]	7507915
		RCF3624HTAM	31600 [9.3]	23700 [6.9]	7900 [2.3]	15.5	13	1075 [507.3]	7507942
		RCF3624MTAM	30200 [8.9]	21900 [6.4]	8300 [2.4]	15.1	12.5	900 [424.8]	7507962
RA1330AJ1	RGPE-12?ARM?	RCF3624HTAM	31600 [9.3]	23700 [6.9]	7900 [2.3]	15.5	13	1075 [507.3]	7507943
		RCF3624MTAM	31000 [9.1]	23400 [6.9]	7600 [2.2]	15.1	12.5	1075 [507.3]	7507963
RA1336AC1	RGPE-05?BMK?	RCF3617STAM	34600 [10.1]	24300 [7.1]	10300 [3.0]	13	11.5	975 [460.1]	7508202
		RCF3621MTAM	37600 [11.0]	26700 [7.8]	10900 [3.2]	13.5	11.5	1200 [566.3]	7508226
		RCF3621STAM	34600 [10.1]	24300 [7.1]	10300 [3.0]	13.5	11.5	975 [460.1]	7508257
RA1336AC1	RGPE-07?AMK?	RCF3617STAM	34800 [10.2]	24500 [7.2]	10300 [3.0]	13.5	11.5	1000 [471.9]	7508203
		RCF3621MTAM	37000 [10.8]	25100 [7.4]	11900 [3.5]	14	11.5	1000 [471.9]	7508227
		RCF3621STAM	35000 [10.3]	24700 [7.2]	10300 [3.0]	13.5	11.5	1000 [471.9]	7508258
RA1336AC1	RGPE-07?BRQ?	RCF3621MTAM	38000 [11.1]	27200 [8.0]	10800 [3.2]	14.5	12	1225 [578.1]	7508228
		RCF3621STAM	36000 [10.6]	26800 [7.9]	9200 [2.7]	13.5	11.5	1225 [578.1]	7508259
		RCF3624HTAM	39000 [11.4]	28100 [8.2]	10900 [3.2]	15.1	12.5	1225 [578.1]	7508288
		RCF3624MTAM	38000 [11.1]	27200 [8.0]	10800 [3.2]	14.5	12	1225 [578.1]	7508311
RA1336AC1	RGPE-10?BRM?	RCF3621MTAM	38500 [11.3]	27700 [8.1]	10800 [3.2]	14.5	12	1225 [578.1]	7508229
		RCF3621STAM	35400 [10.4]	25500 [7.5]	9900 [2.9]	14	11.5	1075 [507.3]	7508260
		RCF3624HTAM	39000 [11.4]	28100 [8.2]	10900 [3.2]	15.1	12.5	1225 [578.1]	7508289
		RCF3624MTAM	38500 [11.3]	27700 [8.1]	10800 [3.2]	14.5	12	1225 [578.1]	7508312

[] Designates Metric Conversions

Performance Data @ AHRI Standard Conditions – Cooling (con't.)

RGPE Furnace Ratings									
Outdoor Unit	Furnace	Indoor Coil	Total Capacity BTU/H [kW]	Net Sensible BTU/H [kW]	Net Latent BTU/H [kW]	SEER	EER	Indoor CFM [L/s]	AHRI#
RA1336AC1	RGPE-12?ARM?	RCF3624HTAM	39000 [11.4]	28000 [8.2]	11000 [3.2]	15.1	12.5	1200 [566.3]	7508290
		RCF3624MTAM	38000 [11.1]	27100 [7.9]	10900 [3.2]	14.5	12	1200 [566.3]	7508313
RA1336AJ1	RGPE-05?BMK?	RCF3617STAM	34600 [10.1]	24300 [7.1]	10300 [3.0]	13	11.5	975 [460.1]	7508568
		RCF3621MTAM	37600 [11.0]	26700 [7.8]	10900 [3.2]	13.5	11.5	1200 [566.3]	7508592
		RCF3621STAM	34600 [10.1]	24300 [7.1]	10300 [3.0]	13.5	11.5	975 [460.1]	7508623
RA1336AJ1	RGPE-07?AMK?	RCF3617STAM	34800 [10.2]	24500 [7.2]	10300 [3.0]	13.5	11.5	1000 [471.9]	7508569
		RCF3621MTAM	37000 [10.8]	25100 [7.4]	11900 [3.5]	14	11.5	1000 [471.9]	7508593
		RCF3621STAM	35000 [10.3]	24700 [7.2]	10300 [3.0]	13.5	11.5	1000 [471.9]	7508624
RA1336AJ1	RGPE-07?BRQ?	RCF3621MTAM	38000 [11.1]	27200 [8.0]	10800 [3.2]	14.5	12	1225 [578.1]	7508594
		RCF3621STAM	36000 [10.6]	26800 [7.9]	9200 [2.7]	13.5	11.5	1225 [578.1]	7508625
		RCF3624HTAM	39000 [11.4]	28100 [8.2]	10900 [3.2]	15.1	12.5	1225 [578.1]	7508654
		RCF3624MTAM	38000 [11.1]	27200 [8.0]	10800 [3.2]	14.5	12	1225 [578.1]	7508677
RA1336AJ1	RGPE-10?BRM?	RCF3621MTAM	38500 [11.3]	27700 [8.1]	10800 [3.2]	14.5	12	1225 [578.1]	7508595
		RCF3621STAM	35400 [10.4]	25500 [7.5]	9900 [2.9]	14	11.5	1075 [507.3]	7508626
		RCF3624HTAM	39000 [11.4]	28100 [8.2]	10900 [3.2]	15.1	12.5	1225 [578.1]	7508655
		RCF3624MTAM	38500 [11.3]	27700 [8.1]	10800 [3.2]	14.5	12	1225 [578.1]	7508678
RA1336AJ1	RGPE-12?ARM?	RCF3624HTAM	39000 [11.4]	28000 [8.2]	11000 [3.2]	15.1	12.5	1200 [566.3]	7508656
		RCF3624MTAM	38000 [11.1]	27100 [7.9]	10900 [3.2]	14.5	12	1200 [566.3]	7508679
RA1342AC1	RGPE-05?BMK?	RCF4821STAM	39500 [11.6]	28200 [8.3]	11300 [3.3]	13	11.5	1200 [566.3]	7511575
RA1342AC1	RGPE-07?AMK?	RCF4821STAM	39500 [11.6]	28300 [8.3]	11200 [3.3]	13	11.5	1225 [578.1]	7511576
RA1342AC1	RGPE-07?BRQ?	RCF4821STAM	40500 [11.9]	30300 [8.9]	10200 [3.0]	13.5	11.5	1400 [660.7]	7511577
		RCF4824HTAM	42000 [12.3]	29900 [8.8]	12100 [3.5]	14	11.5	1400 [660.7]	7511607
		RCF4824STAM	40500 [11.9]	30300 [8.9]	10200 [3.0]	13.5	11.5	1400 [660.7]	7511631
RA1342AC1	RGPE-10?BRM?	RCF4821STAM	39500 [11.6]	27500 [8.1]	12000 [3.5]	14	11.5	1075 [507.3]	7511578
		RCF4824HTAM	41500 [12.2]	28400 [8.3]	13100 [3.8]	14.5	12	1225 [578.1]	7511608
		RCF4824STAM	39500 [11.6]	27500 [8.1]	12000 [3.5]	14	11.5	1075 [507.3]	7511632
RA1342AC1	RGPE-12?ARM?	RCF4824HTAM	41500 [12.2]	28300 [8.3]	13200 [3.9]	14.5	12	1200 [566.3]	7511609
		RCF4824STAM	40000 [11.7]	28700 [8.4]	11300 [3.3]	14	11.5	1200 [566.3]	7511633
RA1342AJ1	RGPE-05?BMK?	RCF4821STAM	39500 [11.6]	28200 [8.3]	11300 [3.3]	13	11.5	1200 [566.3]	7511809
RA1342AJ1	RGPE-07?AMK?	RCF4821STAM	39500 [11.6]	28300 [8.3]	11200 [3.3]	13	11.5	1225 [578.1]	7511810
RA1342AJ1	RGPE-07?BRQ?	RCF4821STAM	40500 [11.9]	30300 [8.9]	10200 [3.0]	13.5	11.5	1400 [660.7]	7511811
		RCF4824HTAM	42000 [12.3]	29900 [8.8]	12100 [3.5]	14	11.5	1400 [660.7]	7511841
		RCF4824STAM	40500 [11.9]	30300 [8.9]	10200 [3.0]	13.5	11.5	1400 [660.7]	7511865
RA1342AJ1	RGPE-10?BRM?	RCF4821STAM	39500 [11.6]	27500 [8.1]	12000 [3.5]	14	11.5	1075 [507.3]	7511812
		RCF4824HTAM	41500 [12.2]	28400 [8.3]	13100 [3.8]	14.5	12	1225 [578.1]	7511842
		RCF4824STAM	39500 [11.6]	27500 [8.1]	12000 [3.5]	14	11.5	1075 [507.3]	7511866
RA1342AJ1	RGPE-12?ARM?	RCF4824HTAM	41500 [12.2]	28300 [8.3]	13200 [3.9]	14.5	12	1200 [566.3]	7511843
		RCF4824STAM	40000 [11.7]	28700 [8.4]	11300 [3.3]	14	11.5	1200 [566.3]	7511867
RA1348AC1	RGPE-07?BRQ?	RCF4821STAM	47000 [13.8]	33000 [9.7]	14000 [4.1]	13	11.5	1400 [660.7]	7508933
		RCF4824HTAM	49500 [14.5]	33500 [9.8]	16000 [4.7]	13.5	11.5	1400 [660.7]	7508957
		RCF4824STAM	47000 [13.8]	33000 [9.7]	14000 [4.1]	13	11.5	1400 [660.7]	7509000
RA1348AC1	RGPE-10?BRM?	RCF4821STAM	47000 [13.8]	33000 [9.7]	14000 [4.1]	13	11.5	1400 [660.7]	7508934
		RCF4824HTAM	50000 [14.7]	35000 [10.3]	15000 [4.4]	13.5	11.5	1550 [731.5]	7508958
		RCF4824STAM	47000 [13.8]	33000 [9.7]	14000 [4.1]	13	11.5	1400 [660.7]	7509002
RA1348AC1	RGPE-12?ARM?	RCF4824HTAM	50500 [14.8]	36000 [10.6]	14500 [4.2]	13.5	11.5	1625 [766.9]	7508959
		RCF4824STAM	47500 [13.9]	34300 [10.1]	13200 [3.9]	13	11.5	1525 [719.7]	7509005

[] Designates Metric Conversions

Performance Data @ AHRI Standard Conditions – Cooling (con't.)

RGPE Furnace Ratings									
Outdoor Unit	Furnace	Indoor Coil	Total Capacity BTU/H [kW]	Net Sensible BTU/H [kW]	Net Latent BTU/H [kW]	SEER	EER	Indoor CFM [L/s]	AHRI#
RA1348AJ1	RGPE-07?BRQ?	RCF4821STAM	47000 [13.8]	33000 [9.7]	14000 [4.1]	13	11.5	1400 [660.7]	7509158
		RCF4824HTAM	49500 [14.5]	33500 [9.8]	16000 [4.7]	13.5	11.5	1400 [660.7]	7509182
		RCF4824STAM	47000 [13.8]	33000 [9.7]	14000 [4.1]	13	11.5	1400 [660.7]	7509202
RA1348AJ1	RGPE-10?BRM?	RCF4821STAM	47000 [13.8]	33000 [9.7]	14000 [4.1]	13	11.5	1400 [660.7]	7509159
		RCF4824HTAM	50000 [14.7]	35000 [10.3]	15000 [4.4]	13.5	11.5	1550 [731.5]	7509183
		RCF4824STAM	47000 [13.8]	33000 [9.7]	14000 [4.1]	13	11.5	1400 [660.7]	7509203
RA1348AJ1	RGPE-12?ARM?	RCF4824HTAM	50500 [14.8]	36000 [10.6]	14500 [4.2]	13.5	11.5	1625 [766.9]	7509184
		RCF4824STAM	47500 [13.9]	34300 [10.1]	13200 [3.9]	13	11.5	1525 [719.7]	7509204
RA1360AC1	RGPE-07?BRQ?	RCF6024HTAM	56000 [16.4]	39600 [11.6]	16400 [4.8]	13	11	1600 [755.1]	7509309
		RCF6024STAM	56000 [16.4]	39600 [11.6]	16400 [4.8]	13	11	1600 [755.1]	7509329
RA1360AC1	RGPE-10?BRM?	RCF6024HTAM	56500 [16.6]	40400 [11.8]	16100 [4.7]	13	11	1625 [766.9]	7509310
		RCF6024STAM	56500 [16.6]	40400 [11.8]	16100 [4.7]	13	11	1625 [766.9]	7509330
RA1360AC1	RGPE-12?ARM?	RCF6024HTAM	56000 [16.4]	38400 [11.3]	17600 [5.2]	13.5	11.5	1425 [672.5]	7509311
		RCF6024STAM	56000 [16.4]	38400 [11.3]	17600 [5.2]	13.5	11.5	1425 [672.5]	7509331
RA1360AJ1	RGPE-07?BRQ?	RCF6024HTAM	56000 [16.4]	39600 [11.6]	16400 [4.8]	13	11	1600 [755.1]	7509431
		RCF6024STAM	56000 [16.4]	39600 [11.6]	16400 [4.8]	13	11	1600 [755.1]	7509451
RA1360AJ1	RGPE-10?BRM?	RCF6024HTAM	56500 [16.6]	40400 [11.8]	16100 [4.7]	13	11	1625 [766.9]	7509432
		RCF6024STAM	56500 [16.6]	40400 [11.8]	16100 [4.7]	13	11	1625 [766.9]	7509452
RA1360AJ1	RGPE-12?ARM?	RCF6024HTAM	56000 [16.4]	38400 [11.3]	17600 [5.2]	13.5	11.5	1425 [672.5]	7509433
		RCF6024STAM	56000 [16.4]	38400 [11.3]	17600 [5.2]	13.5	11.5	1425 [672.5]	7509453

[] Designates Metric Conversions

Performance Data @ AHRI Standard Conditions – Cooling (con't.)

RGPT Furnace Ratings									
Outdoor Unit	Furnace	Indoor Coil	Total Capacity BTU/H [kW]	Net Sensible BTU/H [kW]	Net Latent BTU/H [kW]	SEER	EER	Indoor CFM [L/s]	AHR#
RA1318AJ1	RGPT-05?BMK?	RCF2417HTAM	18200 [5.3]	13100 [3.8]	5100 [1.5]	14.5	12	650 [306.8]	7507418
		RCF2417MTAM	18200 [5.3]	13100 [3.8]	5100 [1.5]	14.5	12	650 [306.8]	7507433
		RCF2417STAM	18200 [5.3]	13800 [4.0]	4400 [1.3]	14.5	12	650 [306.8]	7507449
		RCF2421MTAM	18200 [5.3]	13100 [3.8]	5100 [1.5]	14.5	12	650 [306.8]	7507485
RA1318AJ1	RGPT-07?AMK?	RCF2417HTAM	18000 [5.3]	12800 [3.8]	5200 [1.5]	14.5	12	625 [295.0]	7507419
		RCF2417MTAM	18000 [5.3]	12800 [3.8]	5200 [1.5]	14.5	12	625 [295.0]	7507434
		RCF2417STAM	18000 [5.3]	13500 [4.0]	4500 [1.3]	14.5	12	625 [295.0]	7507450
		RCF2421MTAM	18000 [5.3]	12800 [3.8]	5200 [1.5]	14.5	12	625 [295.0]	7507486
RA1324AJ1	RGPT-05?BMK?	RCF2417HTAM	24400 [7.2]	17800 [5.2]	6600 [1.9]	14	11.5	900 [424.8]	7507624
		RCF2417MTAM	24200 [7.1]	17500 [5.1]	6700 [2.0]	14	11.5	875 [413.0]	7507642
		RCF2417STAM	24200 [7.1]	18500 [5.4]	5700 [1.7]	14	11.5	875 [413.0]	7507661
		RCF2421MTAM	24200 [7.1]	17500 [5.1]	6700 [2.0]	14	11.5	875 [413.0]	7507708
RA1324AJ1	RGPT-07?AMK?	RCF2417HTAM	23200 [6.8]	15900 [4.7]	7300 [2.1]	14	11.5	625 [295.0]	7507625
		RCF2417MTAM	24400 [7.2]	17800 [5.2]	6600 [1.9]	14	11.5	900 [424.8]	7507643
		RCF2417STAM	24400 [7.2]	18700 [5.5]	5700 [1.7]	14	11.5	875 [413.0]	7507662
		RCF2421MTAM	24400 [7.2]	17800 [5.2]	6600 [1.9]	14	11.5	900 [424.8]	7507709
RA1330AJ1	RGPT-05?BMK?	RCF3617STAM	28400 [8.3]	21200 [6.2]	7200 [2.1]	14	11.5	875 [413.0]	7507859
		RCF3621MTAM	30000 [8.8]	21700 [6.4]	8300 [2.4]	14.5	12	900 [424.8]	7507885
		RCF3621STAM	28400 [8.3]	21300 [6.2]	7100 [2.1]	14	11.5	900 [424.8]	7507916
RA1330AJ1	RGPT-07?AMK?	RCF3617STAM	28600 [8.4]	21500 [6.3]	7100 [2.1]	14	11.5	900 [424.8]	7507860
		RCF3621MTAM	30200 [8.9]	22000 [6.4]	8200 [2.4]	14.5	12	925 [436.6]	7507886
		RCF3621STAM	28600 [8.4]	21600 [6.3]	7000 [2.1]	14	11.5	925 [436.6]	7507917
RA1330AJ1	RGPT-07?BRQ?	RCF3621MTAM	30600 [9.0]	22700 [6.7]	7900 [2.3]	15.1	12.5	1000 [471.9]	7507887
		RCF3621STAM	29000 [8.5]	22100 [6.5]	6900 [2.0]	14.5	12	975 [460.1]	7507918
		RCF3624MTAM	30600 [9.0]	22700 [6.7]	7900 [2.3]	15.1	12.5	1000 [471.9]	7507964
RA1330AJ1	RGPT-10?BRM?	RCF3621MTAM	30600 [9.0]	22700 [6.7]	7900 [2.3]	15.1	12.5	1025 [483.7]	7507888
		RCF3621STAM	29000 [8.5]	22200 [6.5]	6800 [2.0]	14	11.5	1000 [471.9]	7507919
		RCF3624MTAM	30600 [9.0]	22700 [6.7]	7900 [2.3]	15.1	12.5	1025 [483.7]	7507965
RA1330AJ1	RGPT-12?ARM?	RCF3624MTAM	30200 [8.9]	22000 [6.4]	8200 [2.4]	15	12.5	925 [436.6]	7507966
RA1336AC1	RGPT-05?BMK?	RCF3617STAM	34800 [10.2]	24800 [7.3]	10000 [2.9]	13	11.5	1050 [495.5]	7508204
		RCF3621MTAM	37200 [10.9]	25700 [7.5]	11500 [3.4]	14	11.5	1075 [507.3]	7508230
		RCF3621STAM	34800 [10.2]	24800 [7.3]	10000 [2.9]	13	11.5	1050 [495.5]	7508261
RA1336AC1	RGPT-07?AMK?	RCF3617STAM	35000 [10.3]	25000 [7.3]	10000 [2.9]	13.5	11.5	1050 [495.5]	7508205
		RCF3621MTAM	37400 [11.0]	26000 [7.6]	11400 [3.3]	14	11.5	1100 [519.1]	7508231
		RCF3621STAM	35000 [10.3]	25000 [7.3]	10000 [2.9]	13.5	11.5	1050 [495.5]	7508262
RA1336AC1	RGPT-07?BRQ?	RCF3621MTAM	38500 [11.3]	27700 [8.1]	10800 [3.2]	14.5	12	1225 [578.1]	7508232
		RCF3621STAM	34800 [10.2]	24500 [7.2]	10300 [3.0]	14	11.5	975 [460.1]	7508263
		RCF3624MTAM	38500 [11.3]	27700 [8.1]	10800 [3.2]	14.5	12	1225 [578.1]	7508314
RA1336AC1	RGPT-10?BRM?	RCF3621MTAM	38500 [11.3]	27700 [8.1]	10800 [3.2]	14.5	12	1225 [578.1]	7508233
		RCF3621STAM	34800 [10.2]	24500 [7.2]	10300 [3.0]	14	11.5	975 [460.1]	7508264
		RCF3624MTAM	38500 [11.3]	27700 [8.1]	10800 [3.2]	14.5	12	1225 [578.1]	7508315
RA1336AC1	RGPT-12?ARM?	RCF3624MTAM	37600 [11.0]	26200 [7.7]	11400 [3.3]	14.5	12	1100 [519.1]	7508316
RA1336AJ1	RGPT-05?BMK?	RCF3617STAM	34800 [10.2]	24800 [7.3]	10000 [2.9]	13	11.5	1050 [495.5]	7508570
		RCF3621MTAM	37200 [10.9]	25700 [7.5]	11500 [3.4]	14	11.5	1075 [507.3]	7508596
		RCF3621STAM	34800 [10.2]	24800 [7.3]	10000 [2.9]	13	11.5	1050 [495.5]	7508627
RA1336AJ1	RGPT-07?AMK?	RCF3617STAM	35000 [10.3]	25000 [7.3]	10000 [2.9]	13.5	11.5	1050 [495.5]	7508571
		RCF3621MTAM	37400 [11.0]	26000 [7.6]	11400 [3.3]	14	11.5	1100 [519.1]	7508597
		RCF3621STAM	35000 [10.3]	25000 [7.3]	10000 [2.9]	13.5	11.5	1050 [495.5]	7508628

[] Designates Metric Conversions

Performance Data @ AHRI Standard Conditions – Cooling (con't.)

RGPT Furnace Ratings									
Outdoor Unit	Furnace	Indoor Coil	Total Capacity BTU/H [kW]	Net Sensible BTU/H [kW]	Net Latent BTU/H [kW]	SEER	EER	Indoor CFM [L/s]	AHRI#
RA1336AJ1	RGPT-07?BRQ?	RCF3621MTAM	38500 [11.3]	27700 [8.1]	10800 [3.2]	14.5	12	1225 [578.1]	7508598
		RCF3621STAM	34800 [10.2]	24500 [7.2]	10300 [3.0]	14	11.5	975 [460.1]	7508629
		RCF3624MTAM	38500 [11.3]	27700 [8.1]	10800 [3.2]	14.5	12	1225 [578.1]	7508680
RA1336AJ1	RGPT-10?BRM?	RCF3621MTAM	38500 [11.3]	27700 [8.1]	10800 [3.2]	14.5	12	1225 [578.1]	7508599
		RCF3621STAM	34800 [10.2]	24500 [7.2]	10300 [3.0]	14	11.5	975 [460.1]	7508630
		RCF3624MTAM	38500 [11.3]	27700 [8.1]	10800 [3.2]	14.5	12	1225 [578.1]	7508681
RA1336AJ1	RGPT-12?ARM?	RCF3624MTAM	37600 [11.0]	26200 [7.7]	11400 [3.3]	14.5	12	1100 [519.1]	7508682
RA1342AC1	RGPT-05?BMK?	RCF4821STAM	39000 [11.4]	27000 [7.9]	12000 [3.5]	13	11.5	1075 [507.3]	7511579
RA1342AC1	RGPT-07?AMK?	RCF4821STAM	39500 [11.6]	27700 [8.1]	11800 [3.5]	13.5	11.5	1100 [519.1]	7511580
RA1342AC1	RGPT-07?BRQ?	RCF4821STAM	40500 [11.9]	30300 [8.9]	10200 [3.0]	13.5	11.5	1425 [672.5]	7511581
		RCF4824STAM	40500 [11.9]	30300 [8.9]	10200 [3.0]	13.5	11.5	1425 [672.5]	7511634
RA1342AC1	RGPT-10?BRM?	RCF4821STAM	40000 [11.7]	28800 [8.4]	11200 [3.3]	14	11.5	1225 [578.1]	7511582
		RCF4824STAM	40000 [11.7]	28800 [8.4]	11200 [3.3]	14	11.5	1225 [578.1]	7511635
RA1342AC1	RGPT-12?ARM?	RCF4824STAM	40000 [11.7]	29100 [8.5]	10900 [3.2]	13.5	11.5	1275 [601.7]	7511636
RA1342AJ1	RGPT-05?BMK?	RCF4821STAM	39000 [11.4]	27000 [7.9]	12000 [3.5]	13	11.5	1075 [507.3]	7511813
RA1342AJ1	RGPT-07?AMK?	RCF4821STAM	39500 [11.6]	27700 [8.1]	11800 [3.5]	13.5	11.5	1100 [519.1]	7511814
RA1342AJ1	RGPT-07?BRQ?	RCF4821STAM	40500 [11.9]	30300 [8.9]	10200 [3.0]	13.5	11.5	1425 [672.5]	7511815
		RCF4824STAM	40500 [11.9]	30300 [8.9]	10200 [3.0]	13.5	11.5	1425 [672.5]	7511868
RA1342AJ1	RGPT-10?BRM?	RCF4821STAM	40000 [11.7]	28800 [8.4]	11200 [3.3]	14	11.5	1225 [578.1]	7511816
		RCF4824STAM	40000 [11.7]	28800 [8.4]	11200 [3.3]	14	11.5	1225 [578.1]	7511869
RA1342AJ1	RGPT-12?ARM?	RCF4824STAM	40000 [11.7]	29100 [8.5]	10900 [3.2]	13.5	11.5	1275 [601.7]	7511870
RA1348AC1	RGPT-07?BRQ?	RCF4821STAM	47000 [13.8]	33000 [9.7]	14000 [4.1]	13	11.5	1400 [660.7]	7508935
		RCF4824STAM	47000 [13.8]	33000 [9.7]	14000 [4.1]	13	11.5	1400 [660.7]	7509007
RA1348AC1	RGPT-10?BRM?	RCF4821STAM	47000 [13.8]	33000 [9.7]	14000 [4.1]	13	11.5	1400 [660.7]	7508936
		RCF4824STAM	47000 [13.8]	33000 [9.7]	14000 [4.1]	13	11.5	1400 [660.7]	7509009
RA1348AC1	RGPT-12?ARM?	RCF4824STAM	46500 [13.6]	31600 [9.3]	14900 [4.4]	13	11.5	1250 [589.9]	7509011
RA1348AJ1	RGPT-07?BRQ?	RCF4821STAM	47000 [13.8]	33000 [9.7]	14000 [4.1]	13	11.5	1400 [660.7]	7509160
		RCF4824STAM	47000 [13.8]	33000 [9.7]	14000 [4.1]	13	11.5	1400 [660.7]	7509205
RA1348AJ1	RGPT-10?BRM?	RCF4821STAM	47000 [13.8]	33000 [9.7]	14000 [4.1]	13	11.5	1400 [660.7]	7509161
		RCF4824STAM	47000 [13.8]	33000 [9.7]	14000 [4.1]	13	11.5	1400 [660.7]	7509206
RA1348AJ1	RGPT-12?ARM?	RCF4824STAM	46500 [13.6]	31600 [9.3]	14900 [4.4]	13	11.5	1250 [589.9]	7509207
RA1360AC1	RGPT-07?BRQ?	RCF6024STAM	56000 [16.4]	38500 [11.3]	17500 [5.1]	13.5	11.5	1450 [684.3]	7509332
RA1360AC1	RGPT-10?BRM?	RCF6024STAM	55500 [16.3]	37900 [11.1]	17600 [5.2]	13.5	11.5	1425 [672.5]	7509333
RA1360AC1	RGPT-12?ARM?	RCF6024STAM	56500 [16.6]	40400 [11.8]	16100 [4.7]	13	11	1625 [766.9]	7509334
RA1360AJ1	RGPT-07?BRQ?	RCF6024STAM	56000 [16.4]	38500 [11.3]	17500 [5.1]	13.5	11.5	1450 [684.3]	7509454
RA1360AJ1	RGPT-10?BRM?	RCF6024STAM	55500 [16.3]	37900 [11.1]	17600 [5.2]	13.5	11.5	1425 [672.5]	7509455
RA1360AJ1	RGPT-12?ARM?	RCF6024STAM	56500 [16.6]	40400 [11.8]	16100 [4.7]	13	11	1625 [766.9]	7509456

[] Designates Metric Conversions

Performance Data @ AHRI Standard Conditions – Cooling (con't.)

RGRM Furnace Ratings									
Outdoor Unit	Furnace	Indoor Coil	Total Capacity BTU/H [kW]	Net Sensible BTU/H [kW]	Net Latent BTU/H [kW]	SEER	EER	Indoor CFM [L/s]	AHRI#
RA1336AC1	RGRM-12?RAJ?	RCF3624MTAM	37400 [11.0]	25900 [7.6]	11500 [3.4]	14.5	12	1075 [507.3]	7508317
RA1336AJ1	RGRM-12?RAJ?	RCF3624MTAM	37400 [11.0]	25900 [7.6]	11500 [3.4]	14.5	12	1075 [507.3]	7508683

RGTM Furnace Ratings									
Outdoor Unit	Furnace	Indoor Coil	Total Capacity BTU/H [kW]	Net Sensible BTU/H [kW]	Net Latent BTU/H [kW]	SEER	EER	Indoor CFM [L/s]	AHRI#
RA1336AC1	RGTM-10?RBJ?	RCF3624HTAM	38500 [11.3]	27100 [7.9]	11400 [3.3]	15.1	12.5	1125 [530.9]	7508291
		RCF3624MTAM	38000 [11.1]	27200 [8.0]	10800 [3.2]	14.5	12	1225 [578.1]	7508318
RA1336AJ1	RGTM-10?RBJ?	RCF3624HTAM	38500 [11.3]	27100 [7.9]	11400 [3.3]	15.1	12.5	1125 [530.9]	7508657
		RCF3624MTAM	38000 [11.1]	27200 [8.0]	10800 [3.2]	14.5	12	1225 [578.1]	7508684

[] Designates Metric Conversions

Performance Data @ AHRI Standard Conditions – Cooling (con't.)

ROCA Furnace Ratings									
Outdoor Unit	Furnace	Indoor Coil	Total Capacity BTU/H [kW]	Net Sensible BTU/H [kW]	Net Latent BTU/H [kW]	SEER	EER	Indoor CFM [L/s]	AHRI#
RA1318AJ1	ROCA-070E03	RCF2417HTAM	18100 [5.3]	12900 [3.8]	5200 [1.5]	15	12.5	600 [283.2]	7507420
		RCF2417MTAM	18100 [5.3]	12900 [3.8]	5200 [1.5]	15	12.5	600 [283.2]	7507435
		RCF2417STAM	18100 [5.3]	13600 [4.0]	4500 [1.3]	14.5	12	600 [283.2]	7507451
		RCF2421MTAM	18100 [5.3]	12900 [3.8]	5200 [1.5]	15	12.5	600 [283.2]	7507487
RA1318AJ1	ROCA-070E04	RCF2417HTAM	18100 [5.3]	12900 [3.8]	5200 [1.5]	15	12.5	600 [283.2]	7507421
		RCF2417MTAM	18100 [5.3]	12900 [3.8]	5200 [1.5]	15	12.5	600 [283.2]	7507436
		RCF2417STAM	18100 [5.3]	13600 [4.0]	4500 [1.3]	14.5	12	600 [283.2]	7507452
		RCF2421MTAM	18100 [5.3]	12900 [3.8]	5200 [1.5]	15	12.5	600 [283.2]	7507488
RA1324AJ1	ROCA-070E03	RCF2417HTAM	24000 [7.0]	17100 [5.0]	6900 [2.0]	14.5	12	800 [377.6]	7507626
		RCF2417MTAM	24000 [7.0]	17100 [5.0]	6900 [2.0]	14.5	12	800 [377.6]	7507644
		RCF2417STAM	24000 [7.0]	18000 [5.3]	6000 [1.8]	14	11.5	800 [377.6]	7507663
		RCF2421MTAM	24000 [7.0]	17100 [5.0]	6900 [2.0]	14.5	12	800 [377.6]	7507710
RA1324AJ1	ROCA-070E04	RCF2417HTAM	24000 [7.0]	17100 [5.0]	6900 [2.0]	14.5	12	800 [377.6]	7507627
		RCF2417MTAM	24000 [7.0]	17100 [5.0]	6900 [2.0]	14.5	12	800 [377.6]	7507645
		RCF2417STAM	24000 [7.0]	18000 [5.3]	6000 [1.8]	14	11.5	800 [377.6]	7507664
		RCF2421MTAM	24000 [7.0]	17100 [5.0]	6900 [2.0]	14.5	12	800 [377.6]	7507711
RA1330AJ1	ROCA-070E03	RCF3617STAM	29000 [8.5]	22200 [6.5]	6800 [2.0]	14	11.5	1000 [471.9]	7507861
		RCF3621MTAM	30400 [8.9]	22500 [6.6]	7900 [2.3]	14.5	12	1000 [471.9]	7507889
		RCF3621STAM	29000 [8.5]	22200 [6.5]	6800 [2.0]	14	11.5	1000 [471.9]	7507920
		RCF3624HTAM	31200 [9.1]	23000 [6.7]	8200 [2.4]	15.1	12.5	1000 [471.9]	7507944
		RCF3624MTAM	30400 [8.9]	22500 [6.6]	7900 [2.3]	14.5	12	1000 [471.9]	7507967
RA1330AJ1	ROCA-070E04	RCF3617STAM	29000 [8.5]	22200 [6.5]	6800 [2.0]	14	11.5	1000 [471.9]	7507862
		RCF3621MTAM	30400 [8.9]	22500 [6.6]	7900 [2.3]	14.5	12	1000 [471.9]	7507890
		RCF3621STAM	29000 [8.5]	22200 [6.5]	6800 [2.0]	14	11.5	1000 [471.9]	7507921
		RCF3624HTAM	31200 [9.1]	23000 [6.7]	8200 [2.4]	15.1	12.5	1000 [471.9]	7507945
		RCF3624MTAM	30400 [8.9]	22500 [6.6]	7900 [2.3]	14.5	12	1000 [471.9]	7507968
RA1336AC1	ROCA-070E03	RCF3617STAM	35000 [10.3]	24700 [7.2]	10300 [3.0]	13.5	11.5	1000 [471.9]	7508206
		RCF3621MTAM	37200 [10.9]	25300 [7.4]	11900 [3.5]	14.5	12	1000 [471.9]	7508234
		RCF3621STAM	35000 [10.3]	24700 [7.2]	10300 [3.0]	13.5	11.5	1000 [471.9]	7508265
		RCF3624HTAM	39000 [11.4]	28000 [8.2]	11000 [3.2]	14.5	12	1200 [566.3]	7508292
		RCF3624MTAM	37200 [10.9]	25300 [7.4]	11900 [3.5]	14.5	12	1000 [471.9]	7508319
RA1336AC1	ROCA-070E04	RCF3617STAM	35000 [10.3]	24700 [7.2]	10300 [3.0]	13.5	11.5	1000 [471.9]	7508207
		RCF3621MTAM	37200 [10.9]	25300 [7.4]	11900 [3.5]	14.5	12	1000 [471.9]	7508235
		RCF3621STAM	35000 [10.3]	24700 [7.2]	10300 [3.0]	13.5	11.5	1000 [471.9]	7508266
		RCF3624HTAM	39000 [11.4]	28000 [8.2]	11000 [3.2]	14.5	12	1200 [566.3]	7508293
		RCF3624MTAM	37200 [10.9]	25300 [7.4]	11900 [3.5]	14.5	12	1000 [471.9]	7508320
RA1336AJ1	ROCA-070E03	RCF3617STAM	35000 [10.3]	24700 [7.2]	10300 [3.0]	13.5	11.5	1000 [471.9]	7508572
		RCF3621MTAM	37200 [10.9]	25300 [7.4]	11900 [3.5]	14.5	12	1000 [471.9]	7508600
		RCF3621STAM	35000 [10.3]	24700 [7.2]	10300 [3.0]	13.5	11.5	1000 [471.9]	7508631
		RCF3624HTAM	39000 [11.4]	28000 [8.2]	11000 [3.2]	14.5	12	1200 [566.3]	7508658
		RCF3624MTAM	37200 [10.9]	25300 [7.4]	11900 [3.5]	14.5	12	1000 [471.9]	7508685
RA1336AJ1	ROCA-070E04	RCF3617STAM	35000 [10.3]	24700 [7.2]	10300 [3.0]	13.5	11.5	1000 [471.9]	7508573
		RCF3621MTAM	37200 [10.9]	25300 [7.4]	11900 [3.5]	14.5	12	1000 [471.9]	7508601
		RCF3621STAM	35000 [10.3]	24700 [7.2]	10300 [3.0]	13.5	11.5	1000 [471.9]	7508632
		RCF3624HTAM	39000 [11.4]	28000 [8.2]	11000 [3.2]	14.5	12	1200 [566.3]	7508659
		RCF3624MTAM	37200 [10.9]	25300 [7.4]	11900 [3.5]	14.5	12	1000 [471.9]	7508686

[] Designates Metric Conversions

Performance Data @ AHRI Standard Conditions – Cooling (con't.)

ROCA Furnace Ratings									
Outdoor Unit	Furnace	Indoor Coil	Total Capacity BTU/H [kW]	Net Sensible BTU/H [kW]	Net Latent BTU/H [kW]	SEER	EER	Indoor CFM [L/s]	AHRI#
RA1342AC1	ROCA-070E03	RCF4821STAM	39500 [11.6]	28200 [8.3]	11300 [3.3]	13.5	11.5	1200 [566.3]	7511583
		RCF4824HTAM	41500 [12.2]	28300 [8.3]	13200 [3.9]	14	11.5	1200 [566.3]	7511610
		RCF4824STAM	39500 [11.6]	28200 [8.3]	11300 [3.3]	13.5	11.5	1200 [566.3]	7511637
RA1342AC1	ROCA-070E04	RCF4821STAM	39500 [11.6]	28200 [8.3]	11300 [3.3]	13.5	11.5	1200 [566.3]	7511584
		RCF4824HTAM	41500 [12.2]	28300 [8.3]	13200 [3.9]	14	11.5	1200 [566.3]	7511611
		RCF4824STAM	39500 [11.6]	28200 [8.3]	11300 [3.3]	13.5	11.5	1200 [566.3]	7511638
RA1342AJ1	ROCA-070E03	RCF4821STAM	39500 [11.6]	28200 [8.3]	11300 [3.3]	13.5	11.5	1200 [566.3]	7511817
		RCF4824HTAM	41500 [12.2]	28300 [8.3]	13200 [3.9]	14	11.5	1200 [566.3]	7511844
		RCF4824STAM	39500 [11.6]	28200 [8.3]	11300 [3.3]	13.5	11.5	1200 [566.3]	7511871
RA1342AJ1	ROCA-070E04	RCF4821STAM	39500 [11.6]	28200 [8.3]	11300 [3.3]	13.5	11.5	1200 [566.3]	7511818
		RCF4824HTAM	41500 [12.2]	28300 [8.3]	13200 [3.9]	14	11.5	1200 [566.3]	7511845
		RCF4824STAM	39500 [11.6]	28200 [8.3]	11300 [3.3]	13.5	11.5	1200 [566.3]	7511872
RA1348AC1	ROCA-070E04	RCF4824HTAM	49000 [14.4]	33000 [9.7]	16000 [4.7]	13	11.5	1400 [660.7]	7508961
RA1348AJ1	ROCA-070E04	RCF4824HTAM	49000 [14.4]	33000 [9.7]	16000 [4.7]	13	11.5	1400 [660.7]	7509185

ROCB Furnace Ratings									
Outdoor Unit	Furnace	Indoor Coil	Total Capacity BTU/H [kW]	Net Sensible BTU/H [kW]	Net Latent BTU/H [kW]	SEER	EER	Indoor CFM [L/s]	AHRI#
RA1318AJ1	ROCB-072E04	RCF2421MTAM	17900 [5.2]	12700 [3.7]	5200 [1.5]	14	11.5	600 [283.2]	7507489
RA1324AJ1	ROCB-072E04	RCF2421MTAM	23800 [7.0]	16900 [5.0]	6900 [2.0]	14	11.5	800 [377.6]	7507712
RA1330AJ1	ROCB-072E04	RCF3621MTAM	30400 [8.9]	22500 [6.6]	7900 [2.3]	14.5	12	1000 [471.9]	7507891
		RCF3621STAM	28400 [8.3]	21300 [6.2]	7100 [2.1]	14	11.5	900 [424.8]	7507922
		RCF3624HTAM	31000 [9.1]	22800 [6.7]	8200 [2.4]	15.1	12.5	1000 [471.9]	7507946
		RCF3624MTAM	30400 [8.9]	22500 [6.6]	7900 [2.3]	14.5	12	1000 [471.9]	7507969
RA1336AC1	ROCB-072E04	RCF3621MTAM	37000 [10.8]	25100 [7.4]	11900 [3.5]	14	11.5	1000 [471.9]	7508236
		RCF3621STAM	34800 [10.2]	24500 [7.2]	10300 [3.0]	13.5	11.5	1000 [471.9]	7508267
		RCF3624HTAM	39000 [11.4]	28000 [8.2]	11000 [3.2]	14.5	12	1200 [566.3]	7508294
		RCF3624MTAM	37000 [10.8]	25100 [7.4]	11900 [3.5]	14	11.5	1000 [471.9]	7508321
RA1336AJ1	ROCB-072E04	RCF3621MTAM	37000 [10.8]	25100 [7.4]	11900 [3.5]	14	11.5	1000 [471.9]	7508602
		RCF3621STAM	34800 [10.2]	24500 [7.2]	10300 [3.0]	13.5	11.5	1000 [471.9]	7508633
		RCF3624HTAM	39000 [11.4]	28000 [8.2]	11000 [3.2]	14.5	12	1200 [566.3]	7508660
		RCF3624MTAM	37000 [10.8]	25100 [7.4]	11900 [3.5]	14	11.5	1000 [471.9]	7508687
RA1342AC1	ROCB-072E04	RCF4821STAM	39500 [11.6]	28200 [8.3]	11300 [3.3]	13	11.5	1200 [566.3]	7511585
		RCF4824HTAM	41000 [12.0]	27800 [8.1]	13200 [3.9]	13.5	11.5	1200 [566.3]	7511612
		RCF4824STAM	39500 [11.6]	28200 [8.3]	11300 [3.3]	13	11.5	1200 [566.3]	7511639
RA1342AJ1	ROCB-072E04	RCF4821STAM	39500 [11.6]	28200 [8.3]	11300 [3.3]	13	11.5	1200 [566.3]	7511819
		RCF4824HTAM	41000 [12.0]	27800 [8.1]	13200 [3.9]	13.5	11.5	1200 [566.3]	7511846
		RCF4824STAM	39500 [11.6]	28200 [8.3]	11300 [3.3]	13	11.5	1200 [566.3]	7511873

[] Designates Metric Conversions

Performance Data @ AHRI Standard Conditions – Cooling (con't.)

ROLA Furnace Ratings									
Outdoor Unit	Furnace	Indoor Coil	Total Capacity BTU/H [kW]	Net Sensible BTU/H [kW]	Net Latent BTU/H [kW]	SEER	EER	Indoor CFM [L/s]	AHRI#
RA1318AJ1	ROLA-070E03	RCF2417HTAM	18000 [5.3]	12800 [3.8]	5200 [1.5]	14.5	12	600 [283.2]	7507422
		RCF2417MTAM	18000 [5.3]	12800 [3.8]	5200 [1.5]	14.5	12	600 [283.2]	7507437
		RCF2417STAM	18000 [5.3]	13500 [4.0]	4500 [1.3]	14.5	12	600 [283.2]	7507453
		RCF2421MTAM	18000 [5.3]	12800 [3.8]	5200 [1.5]	14.5	12	600 [283.2]	7507490
RA1324AJ1	ROLA-070E03	RCF2417HTAM	24400 [7.2]	17800 [5.2]	6600 [1.9]	14.5	12	900 [424.8]	7507628
		RCF2417MTAM	24400 [7.2]	17800 [5.2]	6600 [1.9]	14.5	12	900 [424.8]	7507646
		RCF2417STAM	24400 [7.2]	18700 [5.5]	5700 [1.7]	14	11.5	900 [424.8]	7507665
		RCF2421MTAM	24400 [7.2]	17800 [5.2]	6600 [1.9]	14.5	12	900 [424.8]	7507713
RA1324AJ1	ROLA-070E04	RCF2417HTAM	24400 [7.2]	17800 [5.2]	6600 [1.9]	14.5	12	900 [424.8]	7507629
		RCF2417MTAM	24400 [7.2]	17800 [5.2]	6600 [1.9]	14.5	12	900 [424.8]	7507647
		RCF2417STAM	24400 [7.2]	18700 [5.5]	5700 [1.7]	14	11.5	900 [424.8]	7507666
		RCF2421MTAM	24400 [7.2]	17800 [5.2]	6600 [1.9]	14.5	12	900 [424.8]	7507714
RA1324AJ1	ROLA-115E05	RCF2421MTAM	24400 [7.2]	17800 [5.2]	6600 [1.9]	14	11.5	900 [424.8]	7507715
RA1330AJ1	ROLA-070E03	RCF3617STAM	29000 [8.5]	22100 [6.5]	6900 [2.0]	14	11.5	975 [460.1]	7507863
		RCF3621MTAM	30600 [9.0]	22600 [6.6]	8000 [2.3]	15	12.5	975 [460.1]	7507892
		RCF3621STAM	29000 [8.5]	22100 [6.5]	6900 [2.0]	14	11.5	975 [460.1]	7507923
		RCF3624HTAM	31200 [9.1]	22900 [6.7]	8300 [2.4]	15.5	13	975 [460.1]	7507947
		RCF3624MTAM	30600 [9.0]	22600 [6.6]	8000 [2.3]	15	12.5	975 [460.1]	7507970
RA1330AJ1	ROLA-070E04	RCF3617STAM	29000 [8.5]	22300 [6.5]	6700 [2.0]	14	11.5	1025 [483.7]	7507864
		RCF3621MTAM	30600 [9.0]	22600 [6.6]	8000 [2.3]	15	12.5	975 [460.1]	7507893
		RCF3621STAM	29000 [8.5]	22300 [6.5]	6700 [2.0]	14	11.5	1025 [483.7]	7507924
		RCF3624HTAM	31200 [9.1]	22900 [6.7]	8300 [2.4]	15.5	13	975 [460.1]	7507948
		RCF3624MTAM	30600 [9.0]	22600 [6.6]	8000 [2.3]	15	12.5	975 [460.1]	7507971
RA1330AJ1	ROLA-115E05	RCF3621MTAM	30800 [9.0]	23100 [6.8]	7700 [2.3]	14.5	12	1050 [495.5]	7507894
		RCF3621STAM	29200 [8.6]	22600 [6.6]	6600 [1.9]	14	11.5	1050 [495.5]	7507925
		RCF3624HTAM	30800 [9.0]	22200 [6.5]	8600 [2.5]	15.5	13	900 [424.8]	7507949
		RCF3624MTAM	30800 [9.0]	23100 [6.8]	7700 [2.3]	14.5	12	1050 [495.5]	7507972
RA1336AC1	ROLA-070E03	RCF3617STAM	35600 [10.4]	26100 [7.6]	9500 [2.8]	13.5	11.5	1175 [554.5]	7508208
		RCF3621MTAM	38000 [11.1]	26900 [7.9]	11100 [3.3]	14	11.5	1175 [554.5]	7508237
		RCF3621STAM	35800 [10.5]	26300 [7.7]	9500 [2.8]	13.5	11.5	1175 [554.5]	7508268
		RCF3624HTAM	39000 [11.4]	27900 [8.2]	11100 [3.3]	15	12.5	1175 [554.5]	7508295
		RCF3624MTAM	38000 [11.1]	26900 [7.9]	11100 [3.3]	14	11.5	1175 [554.5]	7508322
RA1336AC1	ROLA-070E04	RCF3617STAM	35600 [10.4]	26100 [7.6]	9500 [2.8]	13.5	11.5	1175 [554.5]	7508209
		RCF3621MTAM	37200 [10.9]	25500 [7.5]	11700 [3.4]	14.5	12	1025 [483.7]	7508238
		RCF3621STAM	35800 [10.5]	26300 [7.7]	9500 [2.8]	13.5	11.5	1175 [554.5]	7508269
		RCF3624HTAM	38000 [11.1]	26200 [7.7]	11800 [3.5]	15.1	12.5	1025 [483.7]	7508296
		RCF3624MTAM	37200 [10.9]	25500 [7.5]	11700 [3.4]	14.5	12	1025 [483.7]	7508323
RA1336AC1	ROLA-115E05	RCF3621MTAM	38000 [11.1]	27100 [7.9]	10900 [3.2]	14.5	12	1200 [566.3]	7508239
		RCF3621STAM	35800 [10.5]	26400 [7.7]	9400 [2.8]	13.5	11.5	1200 [566.3]	7508270
		RCF3624HTAM	39000 [11.4]	28000 [8.2]	11000 [3.2]	15.1	12.5	1200 [566.3]	7508297
		RCF3624MTAM	38000 [11.1]	27100 [7.9]	10900 [3.2]	14.5	12	1200 [566.3]	7508324
RA1336AJ1	ROLA-070E03	RCF3617STAM	35600 [10.4]	26100 [7.6]	9500 [2.8]	13.5	11.5	1175 [554.5]	7508574
		RCF3621MTAM	38000 [11.1]	26900 [7.9]	11100 [3.3]	14	11.5	1175 [554.5]	7508603
		RCF3621STAM	35800 [10.5]	26300 [7.7]	9500 [2.8]	13.5	11.5	1175 [554.5]	7508634
		RCF3624HTAM	39000 [11.4]	27900 [8.2]	11100 [3.3]	15	12.5	1175 [554.5]	7508661
		RCF3624MTAM	38000 [11.1]	26900 [7.9]	11100 [3.3]	14	11.5	1175 [554.5]	7508688

[] Designates Metric Conversions

Performance Data @ AHRI Standard Conditions – Cooling (con't.)

ROLA Furnace Ratings									
Outdoor Unit	Furnace	Indoor Coil	Total Capacity BTU/H [kW]	Net Sensible BTU/H [kW]	Net Latent BTU/H [kW]	SEER	EER	Indoor CFM [L/s]	AHRI#
RA1336AJ1	ROLA-070E04	RCF3617STAM	35600 [10.4]	26100 [7.6]	9500 [2.8]	13.5	11.5	1175 [554.5]	7508575
		RCF3621MTAM	37200 [10.9]	25500 [7.5]	11700 [3.4]	14.5	12	1025 [483.7]	7508604
		RCF3621STAM	35800 [10.5]	26300 [7.7]	9500 [2.8]	13.5	11.5	1175 [554.5]	7508635
		RCF3624HTAM	38000 [11.1]	26200 [7.7]	11800 [3.5]	15.1	12.5	1025 [483.7]	7508662
		RCF3624MTAM	37200 [10.9]	25500 [7.5]	11700 [3.4]	14.5	12	1025 [483.7]	7508689
RA1336AJ1	ROLA-115E05	RCF3621MTAM	38000 [11.1]	27100 [7.9]	10900 [3.2]	14.5	12	1200 [566.3]	7508605
		RCF3621STAM	35800 [10.5]	26400 [7.7]	9400 [2.8]	13.5	11.5	1200 [566.3]	7508636
		RCF3624HTAM	39000 [11.4]	28000 [8.2]	11000 [3.2]	15.1	12.5	1200 [566.3]	7508663
		RCF3624MTAM	38000 [11.1]	27100 [7.9]	10900 [3.2]	14.5	12	1200 [566.3]	7508690
RA1342AC1	ROLA-070E03	RCF4821STAM	40000 [11.7]	28600 [8.4]	11400 [3.3]	13.5	11.5	1175 [554.5]	7511586
		RCF4824HTAM	41500 [12.2]	28200 [8.3]	13300 [3.9]	14	11.5	1175 [554.5]	7511613
		RCF4824STAM	40000 [11.7]	28600 [8.4]	11400 [3.3]	13.5	11.5	1175 [554.5]	7511640
RA1342AC1	ROLA-070E04	RCF4821STAM	40500 [11.9]	30100 [8.8]	10400 [3.0]	13.5	11.5	1375 [648.9]	7511587
		RCF4824HTAM	42000 [12.3]	29700 [8.7]	12300 [3.6]	14	11.5	1375 [648.9]	7511614
		RCF4824STAM	40500 [11.9]	30100 [8.8]	10400 [3.0]	13.5	11.5	1375 [648.9]	7511641
RA1342AC1	ROLA-115E05	RCF4821STAM	40500 [11.9]	30300 [8.9]	10200 [3.0]	13.5	11.5	1400 [660.7]	7511588
		RCF4824HTAM	41500 [12.2]	28300 [8.3]	13200 [3.9]	14.5	12	1200 [566.3]	7511615
		RCF4824STAM	40500 [11.9]	30300 [8.9]	10200 [3.0]	13.5	11.5	1400 [660.7]	7511642
RA1342AJ1	ROLA-070E03	RCF4821STAM	40000 [11.7]	28600 [8.4]	11400 [3.3]	13.5	11.5	1175 [554.5]	7511820
		RCF4824HTAM	41500 [12.2]	28200 [8.3]	13300 [3.9]	14	11.5	1175 [554.5]	7511847
		RCF4824STAM	40000 [11.7]	28600 [8.4]	11400 [3.3]	13.5	11.5	1175 [554.5]	7511874
RA1342AJ1	ROLA-070E04	RCF4821STAM	40500 [11.9]	30100 [8.8]	10400 [3.0]	13.5	11.5	1375 [648.9]	7511821
		RCF4824HTAM	42000 [12.3]	29700 [8.7]	12300 [3.6]	14	11.5	1375 [648.9]	7511848
		RCF4824STAM	40500 [11.9]	30100 [8.8]	10400 [3.0]	13.5	11.5	1375 [648.9]	7511875
RA1342AJ1	ROLA-115E05	RCF4821STAM	40500 [11.9]	30300 [8.9]	10200 [3.0]	13.5	11.5	1400 [660.7]	7511822
		RCF4824HTAM	41500 [12.2]	28300 [8.3]	13200 [3.9]	14.5	12	1200 [566.3]	7511849
		RCF4824STAM	40500 [11.9]	30300 [8.9]	10200 [3.0]	13.5	11.5	1400 [660.7]	7511876
RA1348AC1	ROLA-070E04	RCF4821STAM	47000 [13.8]	32800 [9.6]	14200 [4.2]	13	11.5	1375 [648.9]	7508937
		RCF4824HTAM	49500 [14.5]	33300 [9.8]	16200 [4.7]	13.5	11.5	1375 [648.9]	7508964
		RCF4824STAM	47000 [13.8]	32800 [9.6]	14200 [4.2]	13	11.5	1375 [648.9]	7509014
RA1348AC1	ROLA-115E05	RCF4821STAM	47000 [13.8]	33000 [9.7]	14000 [4.1]	13	11.5	1400 [660.7]	7508938
		RCF4824HTAM	49500 [14.5]	33500 [9.8]	16000 [4.7]	13.5	11.5	1400 [660.7]	7508966
		RCF4824STAM	47000 [13.8]	33000 [9.7]	14000 [4.1]	13	11.5	1400 [660.7]	7509016
RA1348AJ1	ROLA-070E04	RCF4821STAM	47000 [13.8]	32800 [9.6]	14200 [4.2]	13	11.5	1375 [648.9]	7509162
		RCF4824HTAM	49500 [14.5]	33300 [9.8]	16200 [4.7]	13.5	11.5	1375 [648.9]	7509186
		RCF4824STAM	47000 [13.8]	32800 [9.6]	14200 [4.2]	13	11.5	1375 [648.9]	7509208
RA1348AJ1	ROLA-115E05	RCF4821STAM	47000 [13.8]	33000 [9.7]	14000 [4.1]	13	11.5	1400 [660.7]	7509163
		RCF4824HTAM	49500 [14.5]	33500 [9.8]	16000 [4.7]	13.5	11.5	1400 [660.7]	7509187
		RCF4824STAM	47000 [13.8]	33000 [9.7]	14000 [4.1]	13	11.5	1400 [660.7]	7509209
RA1360AC1	ROLA-115E05	RCF6024HTAM	56000 [16.4]	39600 [11.6]	16400 [4.8]	13	11	1600 [755.1]	7509312
		RCF6024STAM	56000 [16.4]	39600 [11.6]	16400 [4.8]	13	11	1600 [755.1]	7509335
RA1360AJ1	ROLA-115E05	RCF6024HTAM	56000 [16.4]	39600 [11.6]	16400 [4.8]	13	11	1600 [755.1]	7509434
		RCF6024STAM	56000 [16.4]	39600 [11.6]	16400 [4.8]	13	11	1600 [755.1]	7509457

[] Designates Metric Conversions

Performance Data @ AHRI Standard Conditions – Cooling (con't.)

Air Handler Ratings								
Outdoor Unit	Air Handler	Total Capacity BTU/H [kW]	Net Sensible BTU/H [kW]	Net Latent BTU/H [kW]	SEER	EER	Indoor CFM [L/s]	AHRI#
RA1318AJ1	RBHP-17	17800 [5.2]	11800 [3.5]	6000 [1.8]	14	11.5	600 [283.2]	7507406
	RH1P1817STAN	17700 [5.2]	13200 [3.9]	4500 [1.3]	13	11.5	600 [283.2]	7507603
	RH1T2417STAN	18000 [5.3]	13500 [4.0]	4500 [1.3]	14.5	12	600 [283.2]	7507604
	RHLL-HM2417	17800 [5.2]	12100 [3.5]	5700 [1.7]	14	11.5	600 [283.2]	7507607
	RHML-HM2421	18900 [5.5]	13400 [3.9]	5500 [1.6]	14.5	12	700 [330.4]	7507608
	RHSL-HM1817	17500 [5.1]	11800 [3.5]	5700 [1.7]	13	11.5	600 [283.2]	7507609
	RH1V2417STAN	18300 [5.4]	13900 [4.1]	4400 [1.3]	14.5	12	650 [306.8]	7507605
RA1324AJ1	RHKL-HM2417	17800 [5.2]	12100 [3.5]	5700 [1.7]	14.5	12	600 [283.2]	7507606
	RBHP-17	23800 [7.0]	15700 [4.6]	8100 [2.4]	14	11.5	800 [377.6]	7507610
	RH1P2417STAN	23600 [6.9]	17600 [5.2]	6000 [1.8]	13	11.5	800 [377.6]	7507835
	RH1T2417STAN	24000 [7.0]	18000 [5.3]	6000 [1.8]	14.5	12	800 [377.6]	7507836
	RH2T2421MTAN	23600 [6.9]	16500 [4.8]	7100 [2.1]	14	11.5	700 [330.4]	7507838
	RHLL-HM2417	23800 [7.0]	15900 [4.7]	7900 [2.3]	14.5	12	800 [377.6]	7507840
	RHML-HM2421	23800 [7.0]	15700 [4.6]	8100 [2.4]	14.5	12	700 [330.4]	7507841
	RHSL-HM2417	23400 [6.9]	15500 [4.5]	7900 [2.3]	13	11.5	800 [377.6]	7507844
	RH1V2417STAN	24400 [7.2]	18600 [5.5]	5800 [1.7]	14	11.5	850 [401.2]	7507837
	RHKL-HM2417	23800 [7.0]	15900 [4.7]	7900 [2.3]	14	11.5	800 [377.6]	7507839
	RHPL-HM2421	24200 [7.1]	16300 [4.8]	7900 [2.3]	14.5	12	800 [377.6]	7507842
RA1330AJ1	RHPN-HM2421	24400 [7.2]	16500 [4.8]	7900 [2.3]	15	12.5	800 [377.6]	7507843
	RBHP-21	29600 [8.7]	20200 [5.9]	9400 [2.8]	14.5	12	1000 [471.9]	7507845
	RH1P3017STAN	28600 [8.4]	21700 [6.4]	6900 [2.0]	13	11.5	975 [460.1]	7508177
	RH1T3617STAN	29000 [8.5]	22200 [6.5]	6800 [2.0]	14.5	12	1000 [471.9]	7508178
	RH1T3621MTAN	30600 [9.0]	22700 [6.7]	7900 [2.3]	15	12.5	1000 [471.9]	7508179
	RHLL-HM3617	29200 [8.6]	20200 [5.9]	9000 [2.6]	14	11.5	1000 [471.9]	7508185
	RHLL-HM3821	30000 [8.8]	20600 [6.0]	9400 [2.8]	14.5	12	975 [460.1]	7508186
	RHML-HM3621	30200 [8.9]	21100 [6.2]	9100 [2.7]	15	12.5	1050 [495.5]	7508187
	RHSL-HM3017	28800 [8.4]	19700 [5.8]	9100 [2.7]	13	11.5	975 [460.1]	7508189
	RH1V3617STAN	29000 [8.5]	22300 [6.5]	6700 [2.0]	14	11.5	1025 [483.7]	7508180
	RH1V3621MTAN	30600 [9.0]	22700 [6.7]	7900 [2.3]	15	12.5	1000 [471.9]	7508181
	RH2V3624HTAC	32200 [9.4]	24800 [7.3]	7400 [2.2]	15	12.5	1200 [566.3]	7508182
	RHKL-HM3617	29200 [8.6]	20200 [5.9]	9000 [2.6]	14	11.5	1025 [483.7]	7508183
RA1336AC1	RHKL-HM3821	30000 [8.8]	20700 [6.1]	9300 [2.7]	14.5	12	1000 [471.9]	7508184
	RHPN-HM3624	32400 [9.5]	24800 [7.3]	7600 [2.2]	15	12.5	1200 [566.3]	7508188
	RBHP-21	36400 [10.7]	24500 [7.2]	11900 [3.5]	14	11.5	1200 [566.3]	7508190
	RH1P3017STAN	34200 [10.0]	23800 [7.0]	10400 [3.0]	13	11	950 [448.4]	7508541
	RH1T3617STAN	35200 [10.3]	24900 [7.3]	10300 [3.0]	14	11.5	1000 [471.9]	7508542
	RH1T3621MTAN	38000 [11.1]	27000 [7.9]	11000 [3.2]	14.5	12	1175 [554.5]	7508543
	RHLL-HM3617	35600 [10.4]	22900 [6.7]	12700 [3.7]	14	11.5	1000 [471.9]	7508549
	RHLL-HM3821	36800 [10.8]	24800 [7.3]	12000 [3.5]	14	11.5	1175 [554.5]	7508550
	RHML-HM3621	36000 [10.6]	23400 [6.9]	12600 [3.7]	14.5	12	1050 [495.5]	7508551
	RHSL-HM3017	34600 [10.1]	21800 [6.4]	12800 [3.8]	13	11	950 [448.4]	7508555
	RH1V3617STAN	36000 [10.6]	26800 [7.9]	9200 [2.7]	13.5	11.5	1225 [578.1]	7508544
	RH1V3621MTAN	38000 [11.1]	27100 [7.9]	10900 [3.2]	14.5	12	1200 [566.3]	7508545
	RH2V3624HTAC	39000 [11.4]	28000 [8.2]	11000 [3.2]	15	12.5	1200 [566.3]	7508546
	RHKL-HM3617	35400 [10.4]	22800 [6.7]	12600 [3.7]	14	11.5	1025 [483.7]	7508547
	RHKL-HM3821	36000 [10.6]	23300 [6.8]	12700 [3.7]	14.5	12	1000 [471.9]	7508548
RHPL-HM3621	36600 [10.7]	24800 [7.3]	11800 [3.5]	13.5	11.5	1225 [578.1]	7508552	
RHPL-HM3821	36600 [10.7]	24500 [7.2]	12100 [3.5]	14	11.5	1150 [542.7]	7508553	
RHPN-HM3624	39000 [11.4]	27800 [8.1]	11200 [3.3]	15	12.5	1200 [566.3]	7508554	

[] Designates Metric Conversions

Performance Data @ AHRI Standard Conditions – Cooling (con't.)

Air Handler Ratings								
Outdoor Unit	Air Handler	Total Capacity BTU/H [kW]	Net Sensible BTU/H [kW]	Net Latent BTU/H [kW]	SEER	EER	Indoor CFM [L/s]	AHRI#
RA1336AJ1	RBHP-21	36400 [10.7]	24500 [7.2]	11900 [3.5]	14	11.5	1200 [566.3]	7508556
	RH1P3017STAN	34200 [10.0]	23800 [7.0]	10400 [3.0]	13	11	950 [448.4]	7508907
	RH1T3617STAN	35200 [10.3]	24900 [7.3]	10300 [3.0]	14	11.5	1000 [471.9]	7508908
	RH1T3621MTAN	38000 [11.1]	27000 [7.9]	11000 [3.2]	14.5	12	1175 [554.5]	7508909
	RHLL-HM3617	35600 [10.4]	22900 [6.7]	12700 [3.7]	14	11.5	1000 [471.9]	7508915
	RHLL-HM3821	36800 [10.8]	24800 [7.3]	12000 [3.5]	14	11.5	1175 [554.5]	7508916
	RHML-HM3621	36000 [10.6]	23400 [6.9]	12600 [3.7]	14.5	12	1050 [495.5]	7508917
	RHSL-HM3017	34600 [10.1]	21800 [6.4]	12800 [3.8]	13	11	950 [448.4]	7508921
	RH1V3617STAN	36000 [10.6]	26800 [7.9]	9200 [2.7]	13.5	11.5	1225 [578.1]	7508910
	RH1V3621MTAN	38000 [11.1]	27100 [7.9]	10900 [3.2]	14.5	12	1200 [566.3]	7508911
	RH2V3624HTAC	39000 [11.4]	28000 [8.2]	11000 [3.2]	15	12.5	1200 [566.3]	7508912
	RHKL-HM3617	35400 [10.4]	22800 [6.7]	12600 [3.7]	14	11.5	1025 [483.7]	7508913
	RHKL-HM3821	36000 [10.6]	23300 [6.8]	12700 [3.7]	14.5	12	1000 [471.9]	7508914
	RHPL-HM3621	36600 [10.7]	24800 [7.3]	11800 [3.5]	13.5	11.5	1225 [578.1]	7508918
	RHPL-HM3821	36600 [10.7]	24500 [7.2]	12100 [3.5]	14	11.5	1150 [542.7]	7508919
RHPN-HM3624	39000 [11.4]	27800 [8.1]	11200 [3.3]	15	12.5	1200 [566.3]	7508920	
RA1342AC1	RBHP-24	40500 [11.9]	26900 [7.9]	13600 [4.0]	14	11.5	1400 [660.7]	7511557
	RH1T4821STAN	41000 [12.0]	30800 [9.0]	10200 [3.0]	14	11.5	1400 [660.7]	7511783
	RH2T4824MTAN	42500 [12.5]	30400 [8.9]	12100 [3.5]	14.5	12	1400 [660.7]	7511785
	RHLL-HM4821	40000 [11.7]	26400 [7.7]	13600 [4.0]	13.5	11.5	1400 [660.7]	7511788
	RHML-HM4824	43000 [12.6]	30800 [9.0]	12200 [3.6]	14.5	12	1400 [660.7]	7511789
	RH1V4821STAN	41000 [12.0]	30800 [9.0]	10200 [3.0]	13.5	11.5	1400 [660.7]	7511784
	RH2V4824HTAC	43500 [12.7]	32600 [9.6]	10900 [3.2]	14	11.5	1600 [755.1]	7511786
	RHKL-HM4821	40000 [11.7]	26400 [7.7]	13600 [4.0]	13.5	11.5	1400 [660.7]	7511787
RHPN-HM4824	43500 [12.7]	32400 [9.5]	11100 [3.3]	14.5	12	1600 [755.1]	7511790	
RA1342AJ1	RBHP-24	40500 [11.9]	26900 [7.9]	13600 [4.0]	14	11.5	1400 [660.7]	7511791
	RH1T4821STAN	41000 [12.0]	30800 [9.0]	10200 [3.0]	14	11.5	1400 [660.7]	7512017
	RH2T4824MTAN	42500 [12.5]	30400 [8.9]	12100 [3.5]	14.5	12	1400 [660.7]	7512019
	RHLL-HM4821	40000 [11.7]	26400 [7.7]	13600 [4.0]	13.5	11.5	1400 [660.7]	7512022
	RHML-HM4824	43000 [12.6]	30800 [9.0]	12200 [3.6]	14.5	12	1400 [660.7]	7512023
	RH1V4821STAN	41000 [12.0]	30800 [9.0]	10200 [3.0]	13.5	11.5	1400 [660.7]	7512018
	RH2V4824HTAC	43500 [12.7]	32600 [9.6]	10900 [3.2]	14	11.5	1600 [755.1]	7512020
	RHKL-HM4821	40000 [11.7]	26400 [7.7]	13600 [4.0]	13.5	11.5	1400 [660.7]	7512021
RHPN-HM4824	43500 [12.7]	32400 [9.5]	11100 [3.3]	14.5	12	1600 [755.1]	7512024	
RA1348AC1	RBHP-24	48000 [14.1]	31700 [9.3]	16300 [4.8]	13.5	11.5	1600 [755.1]	7508922
	RH1T4821STAN	47500 [13.9]	33500 [9.8]	14000 [4.1]	13.5	11.5	1400 [660.7]	7509131
	RH1T4824STAN	48000 [14.1]	35000 [10.3]	13000 [3.8]	13.5	11.5	1550 [731.5]	7509132
	RH2T4824MTAN	50000 [14.7]	34000 [10.0]	16000 [4.7]	14	11.5	1400 [660.7]	7509135
	RHLL-HM4821	47500 [13.9]	31300 [9.2]	16200 [4.7]	13	11.5	1600 [755.1]	7509140
	RHLL-HM4824	47500 [13.9]	31500 [9.2]	16000 [4.7]	13.5	11.5	1625 [766.9]	7509141
	RHLL-HM6024	52000 [15.2]	38500 [11.3]	13500 [4.0]	14	11.5	1800 [849.5]	7509142
	RHML-HM4824	50000 [14.7]	33800 [9.9]	16200 [4.7]	14	11.5	1400 [660.7]	7509143
	RH1V4821STAN	48000 [14.1]	35100 [10.3]	12900 [3.8]	13	11.5	1575 [743.3]	7509133
	RH1V4824STAN	48500 [14.2]	36000 [10.6]	12500 [3.7]	13.5	11.5	1625 [766.9]	7509134
RH2V4824HTAC	51000 [14.9]	36400 [10.7]	14600 [4.3]	14	11.5	1600 [755.1]	7509136	
RHKL-HM4821	46500 [13.6]	29100 [8.5]	17400 [5.1]	13	11.5	1400 [660.7]	7509137	

[] Designates Metric Conversions

Performance Data @ AHRI Standard Conditions – Cooling (con't.)

Air Handler Ratings								
Outdoor Unit	Air Handler	Total Capacity BTU/H [kW]	Net Sensible BTU/H [kW]	Net Latent BTU/H [kW]	SEER	EER	Indoor CFM [L/s]	AHRI#
RA1348AC1	RHKL-HM4824	47500 [13.9]	31500 [9.2]	16000 [4.7]	13	11.5	1625 [766.9]	7509138
	RHKL-HM6024	51000 [14.9]	36100 [10.6]	14900 [4.4]	14.5	12	1600 [755.1]	7509139
	RHPL-HM4824	47500 [13.9]	31500 [9.2]	16000 [4.7]	13	11.5	1625 [766.9]	7509144
	RHPL-HM6024	51500 [15.1]	37300 [10.9]	14200 [4.2]	14	11.5	1700 [802.3]	7509145
	RHPN-HM4824	51000 [14.9]	36100 [10.6]	14900 [4.4]	14	11.5	1600 [755.1]	7509146
RA1348AJ1	RBHP-24	48000 [14.1]	31700 [9.3]	16300 [4.8]	13.5	11.5	1600 [755.1]	7509147
	RH1T4821STAN	47500 [13.9]	33500 [9.8]	14000 [4.1]	13.5	11.5	1400 [660.7]	7509274
	RH1T4824STAN	48000 [14.1]	35000 [10.3]	13000 [3.8]	13.5	11.5	1550 [731.5]	7509275
	RH2T4824MTAN	50000 [14.7]	34000 [10.0]	16000 [4.7]	14	11.5	1400 [660.7]	7509278
	RHLL-HM4821	47500 [13.9]	31300 [9.2]	16200 [4.7]	13	11.5	1600 [755.1]	7509283
	RHLL-HM4824	47500 [13.9]	31500 [9.2]	16000 [4.7]	13.5	11.5	1625 [766.9]	7509284
	RHLL-HM6024	52000 [15.2]	38500 [11.3]	13500 [4.0]	14	11.5	1800 [849.5]	7509285
	RHML-HM4824	50000 [14.7]	33800 [9.9]	16200 [4.7]	14	11.5	1400 [660.7]	7509286
	RH1V4821STAN	48000 [14.1]	35100 [10.3]	12900 [3.8]	13	11.5	1575 [743.3]	7509276
	RH1V4824STAN	48500 [14.2]	36000 [10.6]	12500 [3.7]	13.5	11.5	1625 [766.9]	7509277
	RH2V4824HTAC	51000 [14.9]	36400 [10.7]	14600 [4.3]	14	11.5	1600 [755.1]	7509279
	RHKL-HM4821	46500 [13.6]	29100 [8.5]	17400 [5.1]	13	11.5	1400 [660.7]	7509280
	RHKL-HM4824	47500 [13.9]	31500 [9.2]	16000 [4.7]	13	11.5	1625 [766.9]	7509281
	RHKL-HM6024	51000 [14.9]	36100 [10.6]	14900 [4.4]	14.5	12	1600 [755.1]	7509282
	RHPL-HM4824	47500 [13.9]	31500 [9.2]	16000 [4.7]	13	11.5	1625 [766.9]	7509287
	RHPL-HM6024	51500 [15.1]	37300 [10.9]	14200 [4.2]	14	11.5	1700 [802.3]	7509288
RHPN-HM4824	51000 [14.9]	36100 [10.6]	14900 [4.4]	14	11.5	1600 [755.1]	7509289	
RA1360AC1	RBHP-25	55000 [16.1]	38300 [11.2]	16700 [4.9]	13	11	1800 [849.5]	7509290
	RH1T6024STAN	57000 [16.7]	40600 [11.9]	16400 [4.8]	13.5	11.5	1600 [755.1]	7509404
	RH2T6024STAN	57000 [16.7]	40600 [11.9]	16400 [4.8]	13.5	11.5	1600 [755.1]	7509406
	RHLL-HM6024	57500 [16.9]	40600 [11.9]	16900 [5.0]	13.5	11.5	1800 [849.5]	7509408
	RHML-HM6024	56500 [16.6]	38100 [11.2]	18400 [5.4]	13.5	11.5	1600 [755.1]	7509409
	RH1V6024STAN	57000 [16.7]	40600 [11.9]	16400 [4.8]	14	11.5	1600 [755.1]	7509405
	RHKL-HM6024	57000 [16.7]	38600 [11.3]	18400 [5.4]	14	11.5	1600 [755.1]	7509407
	RHPL-HM6024	57000 [16.7]	39300 [11.5]	17700 [5.2]	13.5	11.5	1700 [802.3]	7509410
RA1360AJ1	RHPN-HM6024	57000 [16.7]	39500 [11.6]	17500 [5.1]	13.5	11.5	1725 [814.1]	7509411
	RBHP-25	55000 [16.1]	38300 [11.2]	16700 [4.9]	13	11	1800 [849.5]	7509412
	RH1T6024STAN	57000 [16.7]	40600 [11.9]	16400 [4.8]	13.5	11.5	1600 [755.1]	7509526
	RH2T6024STAN	57000 [16.7]	40600 [11.9]	16400 [4.8]	13.5	11.5	1600 [755.1]	7509528
	RHLL-HM6024	57500 [16.9]	40600 [11.9]	16900 [5.0]	13.5	11.5	1800 [849.5]	7509530
	RHML-HM6024	56500 [16.6]	38100 [11.2]	18400 [5.4]	13.5	11.5	1600 [755.1]	7509531
	RH1V6024STAN	57000 [16.7]	40600 [11.9]	16400 [4.8]	14	11.5	1600 [755.1]	7509527
	RHKL-HM6024	57000 [16.7]	38600 [11.3]	18400 [5.4]	14	11.5	1600 [755.1]	7509529
RHPL-HM6024	57000 [16.7]	39300 [11.5]	17700 [5.2]	13.5	11.5	1700 [802.3]	7509532	
RHPN-HM6024	57000 [16.7]	39500 [11.6]	17500 [5.1]	13.5	11.5	1725 [814.1]	7509533	

[] Designates Metric Conversions

GUIDE SPECIFICATIONS

General

System Description

Outdoor-mounted, air-cooled, split-system air conditioner composite base pan unit suitable for ground or rooftop installation. Unit consists of a hermetic compressor, an air-cooled coil, propeller-type condenser fan, suction and legend line service valve, and a control box. Unit will discharge supply air upward as shown on contract drawings. Unit will be used in a refrigeration circuit to match up to a coil unit.

Quality Assurance

- Unit will be rated in accordance with the latest edition of AHRI Standard 210.
- Unit will be certified for capacity and efficiency, and listed in the latest AHRI directory.
- Unit construction will comply with latest edition of ANSI/ASHRAE and with NEC.
- Unit will be constructed in accordance with UL standards and will carry the UL label of approval. Unit will have c-UL-us approval.
- Unit cabinet will be capable of withstanding ASTM B117 1000-hr salt spray test.
- Air-cooled condenser coils will be leak tested at 150 psig and pressure tested at 550 psig.
- Unit constructed in ISO9001 approved facility.

Delivery, Storage, and Handling

- Unit will be shipped as single package only and is stored and handled per unit manufacturer's recommendations.

Warranty (for inclusion by specifying engineer) – U.S. and Canada only.

Products

Equipment

Factory assembled, single piece, air-cooled air conditioner unit. Contained within the unit enclosure is all factory wiring, piping, controls, compressor, refrigerant charge R-410A, and special features required prior to field start-up.

Unit Cabinet

- Unit cabinet will be constructed of galvanized steel, bonderized, and coated with a powder coat paint.
- All units constructed with louver coil protection and corner post. Louver can be removed by removing one fastener per louver panel.

AIR-COOLED, SPLIT-SYSTEM AIR CONDITIONER

RA13

1-1/2 TO 5 NOMINAL TONS

Fans

- Condenser fan will be direct-drive propeller type, discharging air upward.
- Condenser fan motors will be totally enclosed, 1-phase type with class B insulation and permanently lubricated bearings. Shafts will be corrosion resistant.
- Fan blades will be statically and dynamically balanced.
- Condenser fan openings will be equipped with coated steel wire safety guards.

Compressor

- Compressor will be hermetically sealed.
- Compressor will be mounted on rubber vibration isolators.

Condenser Coil

- Condenser coil will be air cooled.
- Coil will be constructed of aluminum fins mechanically bonded to copper tubes.

Refrigeration Components

- Refrigeration circuit components will include liquid-line shutoff valve with sweat connections, vapor-line shutoff valve with sweat connections, system charge of R-410A refrigerant, and compressor oil.
- Unit will be equipped with filter drier for R-410A refrigerant for field installation.

Operating Characteristics

- The capacity of the unit will meet or exceed _____ Btuh at a suction temperature of _____ °F/°C. The power consumption at full load will not exceed _____ kW.
- Combination of the unit and the evaporator or fan coil unit will have a total net cooling capacity of _____ Btuh or greater at conditions of _____ CFM entering air temperature at the evaporator at _____ °F/°C wet bulb and _____ °F/°C dry bulb, and air entering the unit at _____ °F/°C.
- The system will have a SEER of _____ Btuh/watt or greater at DOE conditions.

Electrical Requirements

- Nominal unit electrical characteristics will be _____ v, single phase, 60 hz. The unit will be capable of satisfactory operation within voltage limits of _____ v to _____ v.
- Nominal unit electrical characteristics will be _____ v, three phase, 60 hz. The unit will be capable of satisfactory operation within voltage limits of _____ v to _____ v.
- Unit electrical power will be single point connection.
- Control circuit will be 24v.

Special Features

- Refer to section of this literature identifying accessories and descriptions for specific features and available enhancements.

GENERAL TERMS OF LIMITED WARRANTY*

Ruud will furnish a replacement for any part of this product which fails in normal use and service within the applicable period stated, in accordance with the terms of the limited warranty.

*For complete details of the Limited and Conditional Warranties, including applicable terms and conditions, contact your local contractor or the Manufacturer for a copy of the product warranty certificate.

Conditional Parts
(Registration Required)Ten (10) Years



In keeping with its policy of continuous progress and product improvement, Ruud reserves the right to make changes without notice.

Ruud Heating, Cooling & Water Heating • P.O. Box 17010
Fort Smith, Arkansas 72917 • www.ruud.com

Ruud Canada • 125 Edgeware Road, Unit 1
Brampton, Ontario • L6Y 0P5

RELY ON RUUD.™

PRINTED IN U.S.A. 11/14 QG FORM NO. A22-221