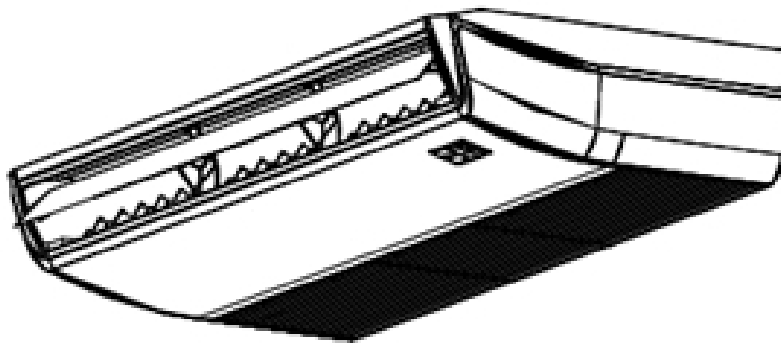




FLOOR CEILING **VORTEX** CONTROLLER GUIDE



UV36C2DB1

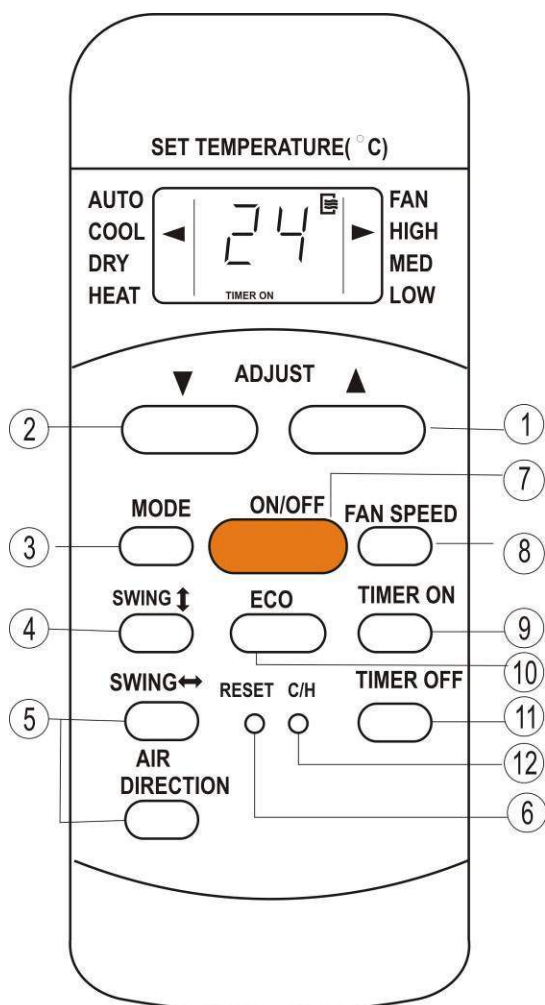
UV48C2DB1

UV60C2DB1

3. Controller

3.1 Wireless Remote Controller RG51Q1/BGE

The R51Q1/BGE wireless remote controller is standard for Four-way cassette type and the Ceiling& floor type.



General Function for wireless remote controller:

Model	RG51Q1/BGE
Rated voltage	3.0V(2pieces of LR03 7# batteries)
Min voltage for sending signal of CPU	2.4V
Effective receiving distance	8m~11m
Operation condition	-5~60℃

Buttons and functions:

1. **Adjust ▲** : Increase the set temp. Keeping pressing will increase the temp with 1°C per 0.5s.
2. **Adjust ▼** : Reduce the set temp. Keeping pressing will reduce the temp. with 1°C per 0.5s.
3. **MODE**: Once pressing, running mode will be selected in the following sequence:



NOTE: No heating mode for cool only type unit.

4. **SWING ↓**: Activate or turn off horizontal swing function. (Only available when remote controller is used with corresponding unit, i.e. Ceiling & floor type)

5. **SWING ↔**: Activate or turn off vertical swing function.

(Only available when remote controller is used with corresponding unit.)

AIR DIRECTION: Activate swing function of air deflector. Once pressing, air deflector will turn 6°. For normal operation and better cooling and heating effect, deflector will not turn to the degree which is the state of deflector when the unit is turned off.(Only available when remote controller is used with corresponding unit.)

6. **RESET** (inner located): Press this button with a needle of 1mm to cancel the current setting and reset remote controller.

7. **ON/OFF**: For turning on or turning off the air conditioner.

8. **FAN SPEED**: Fan speed will be selected in following sequence once pressing this button:



9. **TIME ON**: For time ON setting. Once pressing this button, the time will increase by 0.5 hour. When the set time exceeds 10 hours, pressing the button will increase the time by 1 hour. Adjusting the figure to 0.00 will cancel time ON setting.

10. **ECO**: Activate or turn off economic operation mode. It is suggested to turn on this function when sleeping. (Only available when remote controller is used with corresponding unit.)

11. **TIME OFF**: For time OFF setting. Once pressing this button, the time will increase by 0.5 hour. When the set time exceeds 10 hours, pressing the button will increase the time by 1 hour.

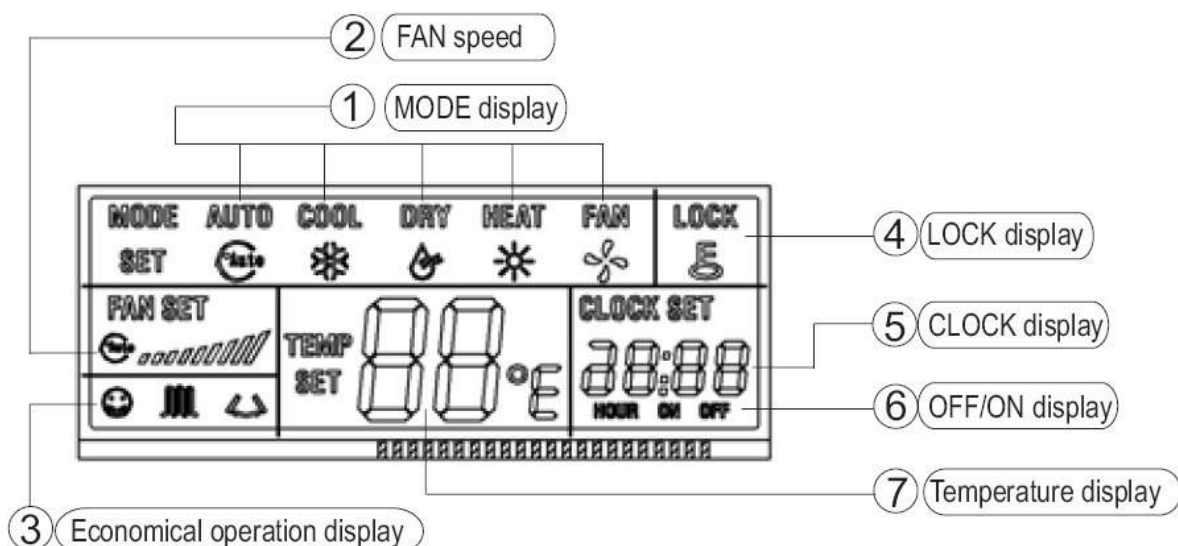
12. **C/H** (inner located): Press this button with a needle of 1mm to shift mode between COOL only and COOL&HEAT. During setting, background light will be lightened. Factory default mode is COOL &HEAT.

3.2 Wired Remote Controller

KJR-10B



NAME AND FUNCTION OF LCD ON THE WIRE CONTROLLER



- 1 Mode select button (MODE):
Press MODE button to select "COOL", "DRY", "HEAT", or "FAN ONLY" mode. (HEAT is invalid for COOL ONLY wire controller.)
AUTO → COOLING → DEHUMIDIFY → HEATING → FAN
- 2 Fan speed button (FAN SPEED)
Press FAN SPEED to select fan speed from "AUTO", "LOW", "MED", and "HIGH". NOTE: some air conditioners have no MED fan speed, and then the MED is regarded as HIGH.
- 3 Economical operation displays:

Press ECONOMICAL to display economical operation, if press ECONOMICAL again then the display disappears

4 Lock display

Press LOCK to display the icon of LOCK. Press the button again then the icon of LOCK disappears. In the mode of LOCK, all the buttons are invalid except for LOCK button.

5 CLOCK display.

Usually display the clock set currently. Press the button CLOCK for 4 seconds, the HOUR part will flash, press button ▲ and ▼ to adjust HOUR. Press the button CLOCK again, the minute part flash, press button ▲ or ▼ to adjust MINUTE. After clock set or clock operation, it must press CONFIRM to complete the set.

6 TIMER ON/OFF display:

Display ON at the state of TIMER ON adjustment or after only set the TIMER ON; Display OFF at the state of TIMER OFF adjustment or after only set the TIMER OFF; Display ON/OFF if simultaneously set the mode of TIMER ON and TIMER OFF.

7 Temperature display area:

Usually display the set temperature. Press the buttons of and to set temperature, at the mode of FAN, there is no figure display in the area.

NAME AND FUNCTIONS OF BUTTONS ON WIRE CONTROLLER

1 mode selection button:

It is used to select mode, push the button one time, then the operation modes will change

In turn as follows:

AUTO→ COOLING →DEHUMIDIFY →HEATING→ FAN

Remark: no heating mode if wire controller is set as the cool only.

2 Timer on button:

Push the button to set TIMER ON, each time you push the button the time moves forward by 0.5 hours. When the set time is over 10 hours, each time you push the button the time moves forward by 1 hour. If want to cancel the TIMER ON, then adjust the time of TIMER ON as 0.0

3 Timer off button:

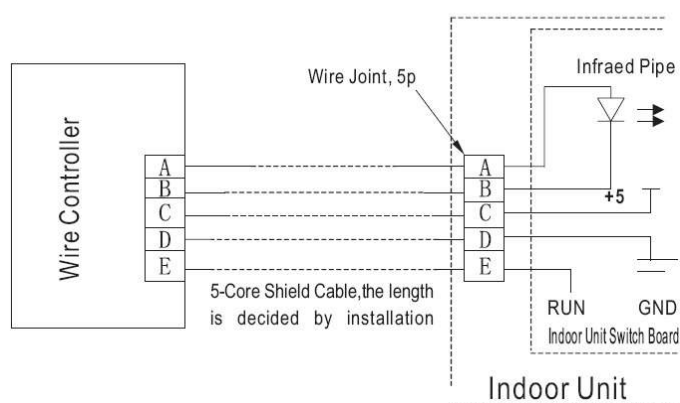
Push the button to set TIMER OFF, each time you push the button the time moves forward by 0.5 hours. When the set time is over 10 hours, each time you push the button the time moves forward by 1 hour. If want to cancel the TIMER OFF, then adjust the time of TIMER OFF as 0.0

4 CLOCK button:

Normally display the clock set currently (display 12:00 for the first electrifying or resetting). When push the button for 4 seconds, the hour part on the clock display flashes every 0.5 seconds, then push button and to adjust hour; push the button CLOCK again, the minute part flashes every 0.5 seconds, then push and button to adjust minute. When set clock or alter clock setting, must push the confirm button to complete the setting

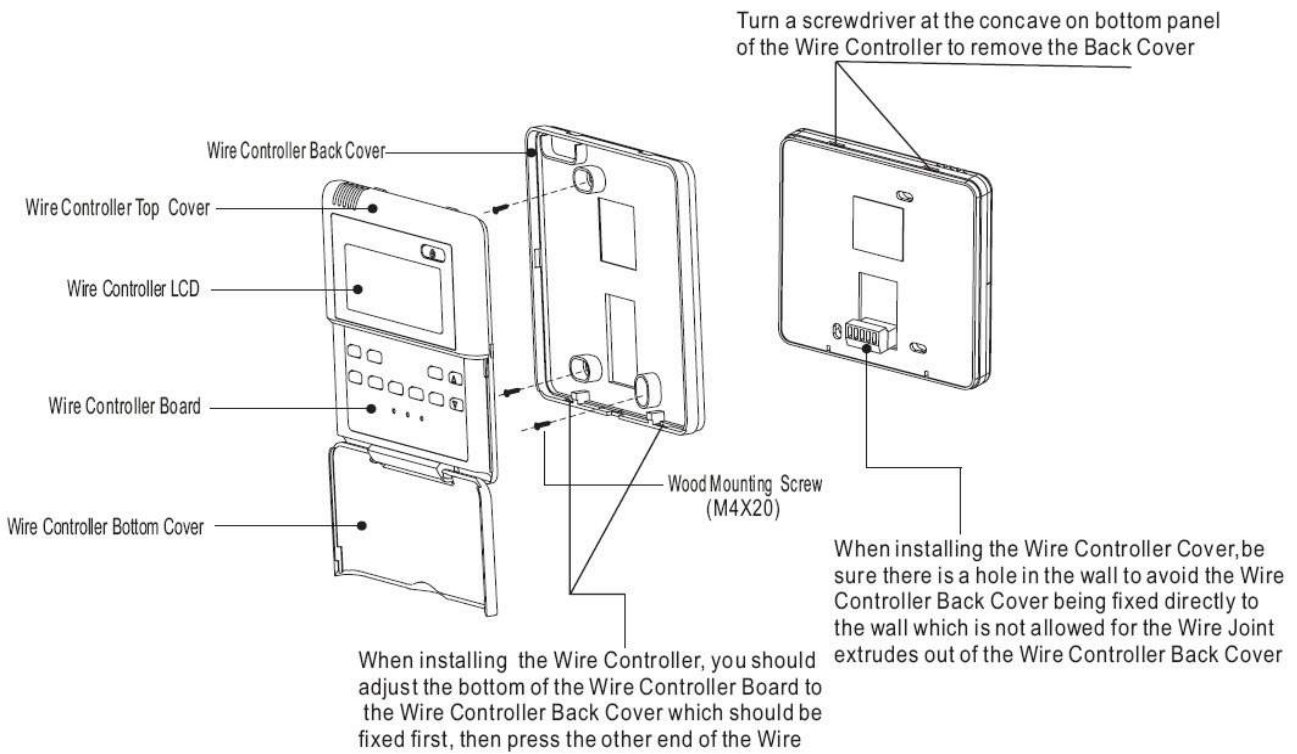
Installation

Wiring Principle Sketch:



Installation Notice:

When the air conditioner needs the constant frequency wire Controller, be sure adding a Wire Joint with 5 terminal named A, B, C, D, E in indoor unit, and fixing a infrared emitter whose anode and cathode connecting with A and B near the receiver in the Indoor Unit Switch Board, then connecting the terminal +5v, GND, Run in the Switch Board to C,D,E respectively.



NOTE

Never turn screws too tightly, or else the cover would be dented or the Liquid Crystal breaks.
Please leave enough long cable for maintenance of the Wire Controller Board.